

PHASE-OUT -> PHASE-IN

Cedaspe brand	Eti brand
SM2 - XS	SM2 - X
SM2 - S	SM3 - S
SM2 - L	SM2 - L
SM2 - XL	SM2 - XL



New MR brand
SM4 - D
SM4 - C
SM4 - B
SM4 - A

ALUMINIUM HOUSING

Cedaspe brand	Eti brand	Tech.
SM2 - XS	SM2 - X	Gravity die casting
SM2 - S	SM3 - S*	Gravity die casting
SM2 - L	SM2 - L	Gravity die casting
SM2 - XL	SM2 - XL	Gravity die casting



* partly forged



New MR brand	Tech.
SM4 - D	Pressure die casting
SM4 - C	Pressure die casting
SM4 - B	Gravity die casting
SM4 - A	Gravity die casting



CHARACTERISTICS



ISM4 CT TERMINAL BOXES

Four different sizes required with the following number of terminals:

Size	Terminals	No. of terminals	Cable entries
D	M6	2 / 3 / 4 / 6	2 x M25x1.5
C	M6	4 / 6 / 9 / 12	4 x M25x1.5
B	M6	15 / 18 / 24 / 36	3 x M25x1.5 2 more on demand
A	M6	27 / 37 / 45 / 53	4 x M50x1.5

Standard Reference IEC 60076-22-7

IIP 65

IIK 07

Color: RAL7031 or RAL7033

Gaskets: NBR; upon request FVMQ; HNBR; Viton

A4 Screws and Nuts, unlosable screws for cover. Hexagon head screw type

C4H ISO 12944 corrosion resistance

Terminal box cover provided with a lead to avoid drop or mismatching

Terminal box cover grounded, once screwed/assembled



OTHER FEATURES



Terminals are mounted inside the box in such a way that they cannot fall inside the tank even if the tightening nut is accidentally loosened;

Terminals are mounted inside the box in such a way that they cannot twist when the cable end is screwed on and off and so that no accidental loosening during transport, handling and mounting can occur.

Identification label includes code part number, serial number.

Terminal boxes are provided with multiple M25x1.5 threaded holes plugged with plastic cap to avoid pollution entry during transport and storage.

Cable glands can be provided upon request and dispatched into separated kit with adaptors (if different from M25x1.5). Upon request, we can also provide larger holes such as PG29 and M32 (special executions).

Terminals are identified at both ends by numbers, as indicated in our drawings, to make the wiring easier.

A label inside the cover is provided to allow recording of each terminal identification.

Special execution:

Fiber Optics Terminal box type SM4 – B with taller turret +110mm equipped with:

2 x M50X1.5 cable entries

8 or 12 holes of ¼"NPT, alternatively ½"NPT

SM4 - D DRAWING

	DATE	NAME	DOCUMENT NO.
DFTR	29/03/22	Giulio M.	5034
LHND	29/03/22	Giulio A.	CHANGE NO.
STAND	29/03/22	Giulio A.	SCALE
			1:2

CEASPE S.r.l. COPYRIGHT RESERVED

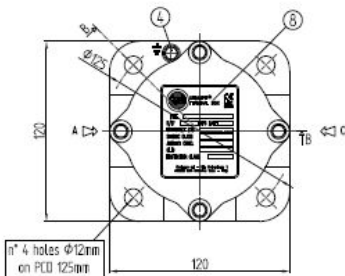
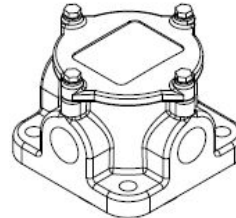
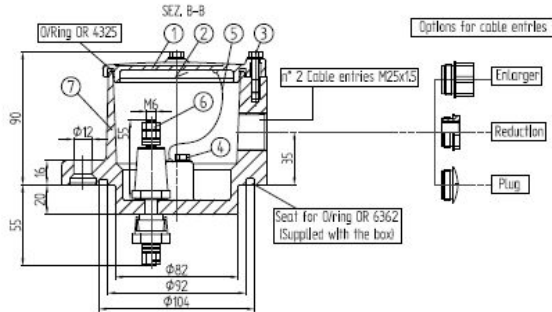
THE REPRODUCTION, DISTRIBUTION AND UTILIZATION OF THIS DOCUMENT AS WELL AS THE COMMUNICATION OF ITS CONTENTS TO OTHERS WITHOUT EXPRESS AUTHORIZATION IS PROHIBITED. OFFENDERS WILL BE HELD LIABLE FOR THE PAYMENT OF DAMAGES. ALL RIGHTS RESERVED IN THE EVENT OF THE GRANT OF A PATENT, UTILITY MODEL OR DESIGN.

OPERATOR
N. n. n.
DESCRIZIONE
MTR



Terminal box
type SM4-D (XS)

SERIAL NUMBER
MATERIAL NUMBER
SHEET
1/1



Execution according to IEC 60716-22-7

- Painting: RAL7033
- Compressive class: C4-H
- Execution for GI: mineral origin
- IP protection class: IP65
- Withstand insulation voltage between terminals & between terminals and ground : 25 kV a.c.
- Current rating (ambient temp): 50 A

Pos.	Description
1	Terminal box cover
2	Terminal identification label
3	Cover assembly screw
4	Ground terminal
5	Cover holding wire
6	Terminal
7	Terminal box housing
8	Terminal box identification label

Terminals position & numbering in standard execution

Execution 2T = 2 terminals CODE : TB402S20001	Execution 3T = 3 terminals CODE : TB403S20001	Execution 4T = 4 terminals CODE : TB404S20001	Execution 6T = 6 terminals CODE : TB406S20001

Average weight ~15 Kg

SM4 - C DRAWING

DATE	NAME	DOCUMENT NO.
02/03/22	CurH M.	5035
02/03/22	Gloria A.	CHANGE NO.
02/03/22	Gloria A.	SCALE

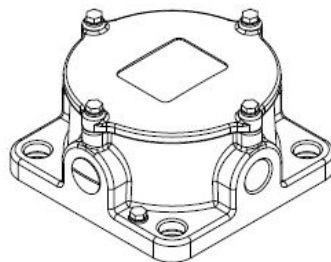
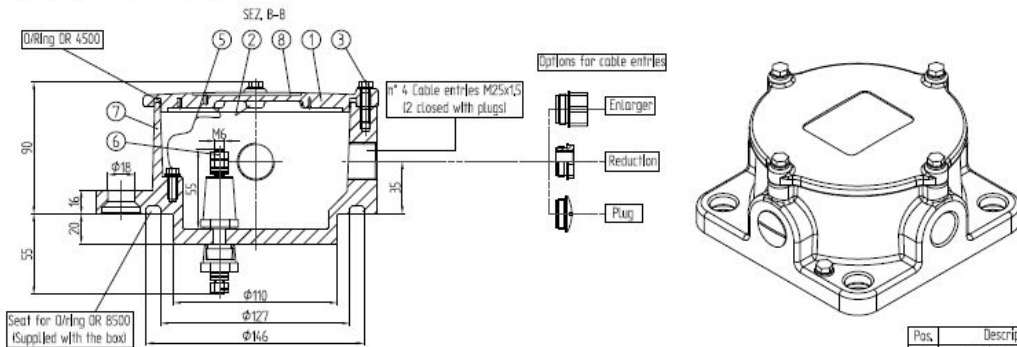
CEASPE S.r.l. COPYRIGHT RESERVED
 THE REPRODUCTION, DISTRIBUTION AND UTILIZATION OF THIS DOCUMENT AS WELL AS THE COMMUNICATION OF ITS CONTENTS TO OTHERS WITHOUT EXPRESS AUTHORIZATION IS PROHIBITED. OFFENDERS WILL BE HELD LIABLE FOR THE PAYMENT OF DAMAGES. ALL RIGHTS RESERVED IN THE EVENT OF THE GRANT OF A PATENT, UTILITY MODEL OR DESIGN.

DIMENSIONI IN mm
 DIMENSIONS IN mm



Terminal box
 type SM4-C (SI)

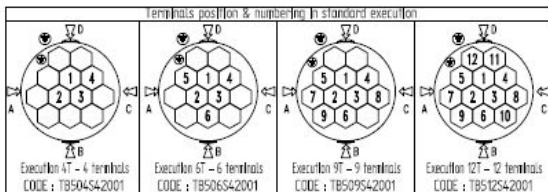
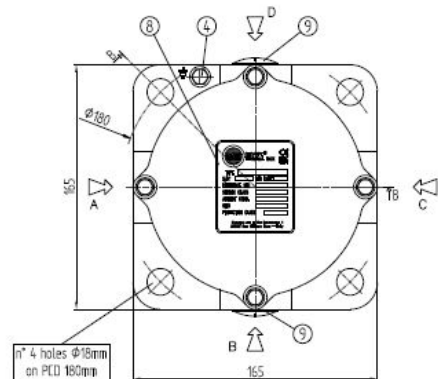
SHEET NUMBER
 SHEET 1/1



Pos.	Description
1	Terminal box cover
2	Terminal identification label
3	Cover assembly screw
4	Ground terminal
5	Cover holding wire
6	Terminal
7	Terminal box housing
8	Terminal box identification label
9	Plug M25x15

Execution according to IEL 60076-22-7

- Painting: RAL7033
- Compressive class: C4-H
- Execution for OIL mineral origin
- IP protection class: IP65
- Withstand insulation voltage between terminals & between terminals and ground: 25 kV a.c.
- Current rating (continuous): 50 A



SM4 - B DRAWING

DATE	NAME	DOCUMENT NO.	
29/03/22	Curti M.	5039	
CHKD	Gloria A.	CHANGE NO.	SCALE
29/03/22	Gloria A.	04	1:2
STAMP			

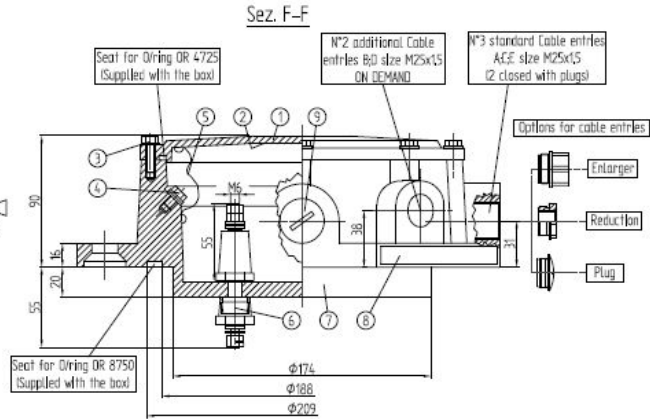
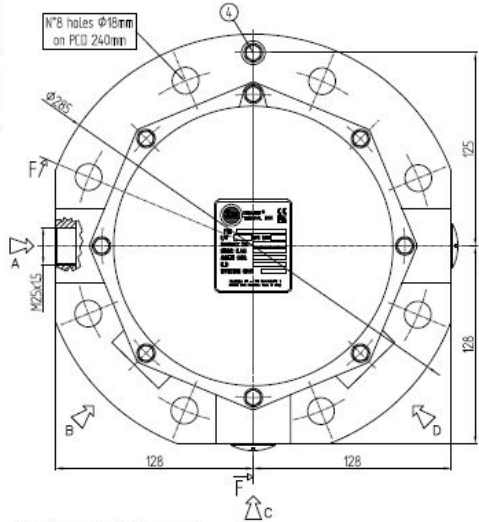
CEDASPE S.p.A. COPYRIGHT RESERVED

THE REPRODUCTION, DISTRIBUTION AND UTILIZATION OF THIS DOCUMENT AS WELL AS THE COMMUNICATION OF ITS CONTENTS TO OTHERS WITHOUT EXPRESS AUTHORIZATION IS PROHIBITED. OFFENDERS WILL BE HELD LIABLE FOR THE PAYMENT OF DAMAGES. ALL RIGHTS RESERVED IN THE EVENT OF THE GRANT OF A PATENT, UTILITY MODEL OR DESIGN.

INDICATION
IN mm
EXCEPT AS
NOTED



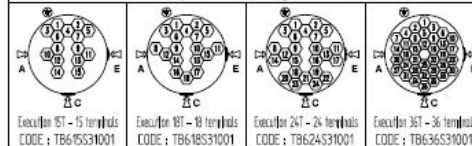
Terminal box type SM4-B (L)



Pos.	Description
1	Terminal box cover
2	Terminal identification label
3	Cover assembly screw
4	Ground terminal
5	Cover halting wire
6	Terminal
7	Terminal box housing
8	Terminal box identification label
9	Plug M25x15

- Execution according to IEC 60076-22-7
- Packaging: RAL7033
 - Compressive class: C4-H
 - Execution for Oil mineral origin
 - IP protection class: IP65
 - Withstand insulation voltage between terminals & between terminals and ground: 25 kV a.c.
 - Current rating (ambient temp): 50 A

Terminals position & numbering in standard execution



SCALE NUMBER
SHEET
VI

SM4 - A DRAWING

	DATE	NAME	DOCUMENT NO.
DFTR:	29/03/22	Curth M.	5040
CHKD:	29/03/22	Gloria A.	CHANGE NO.
STAND:	29/03/22	Gloria A.	05
			SCALE
			1:2

CEDASPE S.r.l. COPYRIGHT RESERVED
 THE REPRODUCTION, DISTRIBUTION AND UTILIZATION OF THIS DOCUMENT AS WELL AS THE COMMUNICATION OF ITS CONTENTS TO OTHERS WITHOUT EXPRESS AUTHORIZATION IS PROHIBITED. OFFENDERS WILL BE HELD LIABLE FOR THE PAYMENT OF DAMAGES. ALL RIGHTS RESERVED IN THE EVENT OF THE GRANT OF A PATENT, UTILITY MODEL OR DESIGN.

TERMINAL BOX TYPE SM4-A (XL)

Sez. F-F

Pos.	Description
1	Terminal box cover
2	Terminal identification label
3	Cover assembly screw
4	Ground terminal
5	Cover holding wire
6	Terminal
7	Terminal box housing
8	Terminal box identification label
9	Plug M50x15

Execution according to IEC 60716-22-7

- Painting: RAL7033
- Corrosive class: C4-H
- Execution for Oil mineral origin
- IP protection class: IP65
- Withstand insulation voltage between terminals & between terminals and ground: 25 kV a.c.
- Current rating (continuous): 50 A

Options for cable entries M50x15

- Reduction
- Plug M50x15

Terminals position & numbering in standard execution

Execution 27 - 27 terminals
CODE : TB727543001

Execution 37 - 37 terminals
CODE : TB737543001

Execution 45 - 45 terminals
CODE : TB745543001

Execution 53 - 53 terminals
CODE : TB753543001

SCALE NUMBER SHEET 1/1