

# NEW SM4 FOR GROUNDING



## CHARACTERISTICS

### I SM4 GROUNDING TERMINAL BOXES

I One size and three different configurations:

Size	Terminals	No. of terminals
CFT	M12	3
CGT	M12	2
CGP	M12	1

- I Standard Reference IEC 60076-22-7
- I IP 65
- I IK 07
- I Color: RAL 7031 or RAL 7033
- I Gaskets: NBR; upon request FVMQ, HNBR, Viton.
- I A4 Screws and Nuts, unlosable screws for cover. Hexagon head screw type.
- I C4H ISO 12944 corrosion resistance
- I Terminal box cover provided with a lead to avoid drop or mismatching.
- I Terminal box cover grounded, once screwed/assembled.



# SM4 - CFT DRAWING

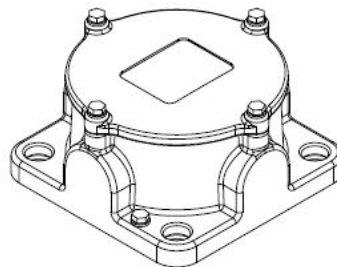
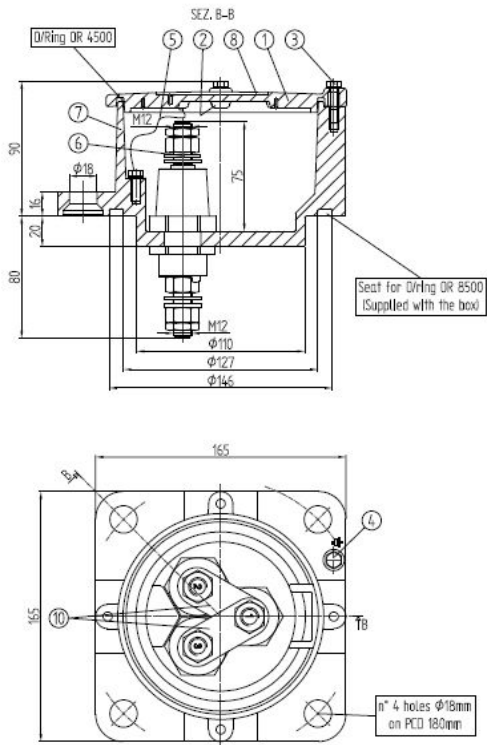
	DATE	NAME	DOCUMENT NO.
DIFF.	29/03/22	Curli M.	5036
CHKD.	29/03/22	Glorgi A.	CHANGE NO.
SCALE			12
STAND.	29/03/22	Glorgi A.	02

EDASPE S.r.l. COPYRIGHT RESERVED

THE REPRODUCTION, DISTRIBUTION AND UTILIZATION OF THIS DOCUMENT AS WELL AS THE COMMUNICATION OF ITS CONTENTS TO OTHERS WITHOUT EXPRESS AUTHORIZATION IS PROHIBITED. OFFENDERS WILL BE HELD LIABLE FOR THE PAYMENT OF DAMAGES. ALL RIGHTS RESERVED IN THE EVENT OF THE GRANT OF A PATENT, UTILITY MODEL OR DESIGN.

	DIMENSION IN mm EXCEPT AS NOTED
	SERIAL NUMBER SHEET 1/1

Grounding terminal box  
type SM4-CFT



Execution according to IEC 60076-22-7	
-	Painting: RAL7033
-	Corrosive class: C4-H
-	Execution for Oil: mineral origin
-	IP protection class: IP65
-	Withstand insulation voltage between terminals & between terminals and ground: 10 kV a.c.
-	Current rating (continuous): 250 A
-	Short time current (10s): 400 A

Edaspe ordering code: 18503C00001

Pos.	Description
1	Terminal box cover
2	Terminal identification label
3	Cover assembly screw
4	Ground terminal
5	Cover holding wire
6	Terminal
7	Terminal box housing
8	Terminal box identification label
10	Terminal connection link

# SM4 - CGT DRAWING

	DATE	NAME	DOCUMENT NO.
DIFFER.	29/03/22	Cori M.	5037
CHECKS	29/03/22	Glori A.	CHANGE NO.
STAND.	29/03/22	Glori A.	02
			SCALE
			1:2

GEDASPE S.r.l. COPYRIGHT RESERVED

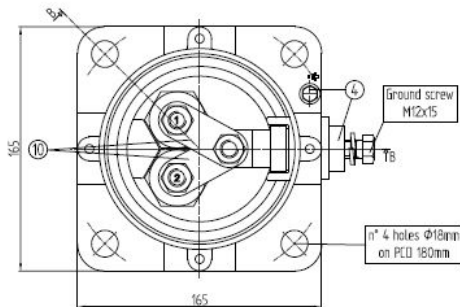
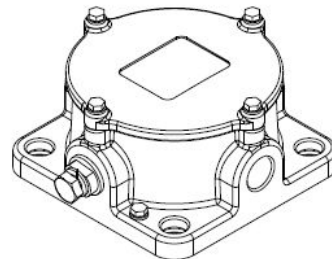
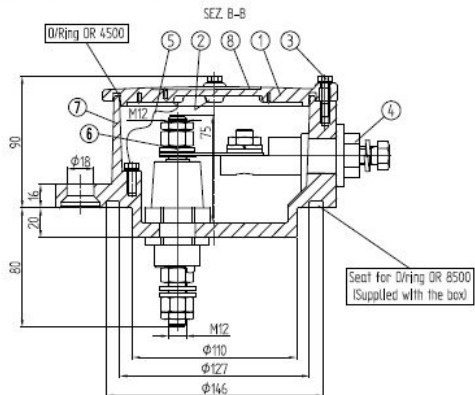
THE REPRODUCTION, DISTRIBUTION AND UTILIZATION OF THIS DOCUMENT AS WELL AS THE COMMUNICATION OF ITS CONTENTS TO OTHERS WITHOUT EXPRESS AUTHORIZATION IS PROHIBITED. OFFENDERS WILL BE HELD LIABLE FOR THE PAYMENT OF DAMAGES. ALL RIGHTS RESERVED IN THE EVENT OF THE GRANT OF A PATENT, UTILITY MODEL OR DESIGN.

IMPRESSION  
IN THE  
ACCEPT AS  
NOTE



Grounding terminal box  
type SM4-CGT (Z1+5NT M12)

SCALE NUMBER  
SHEET  
1/1



- Execution according to IEC 60076-22-7
- Painting: RAL7033
  - Corrosive class: C4-H
  - Execution for Oil mineral origin
  - IP protection class: IP65
  - Withstand insulation voltage between terminals & between terminals and ground: 10 kV a.c.
  - Current rating (continuous): 250 A
  - Short time current (10s): 400 A

Gedaspe ordering code: T8502L00001

Pos.	Description
1	Terminal box cover
2	Terminal identification label
3	Cover assembly screw
4	Ground terminal
5	Cover holding wire
6	Terminal
7	Terminal box housing
8	Terminal box identification label
10	Terminal connection link

# SM4 - CGP DRAWING

	DATE	NAME	DOCUMENT NO.
DIFF.	29/03/22	Carli M.	5038
CHKD.	29/03/22	Giorgi A.	CHANGE NO.
SCALE	29/03/22	Giorgi A.	02
STAND.			12

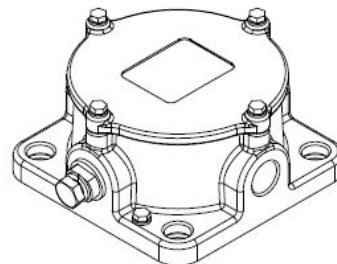
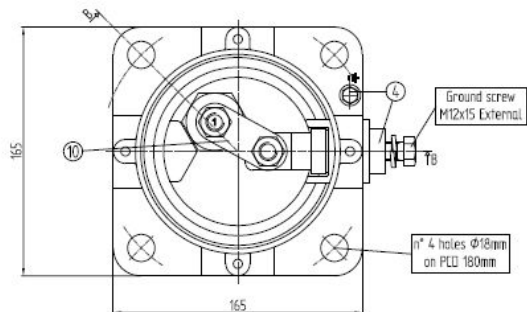
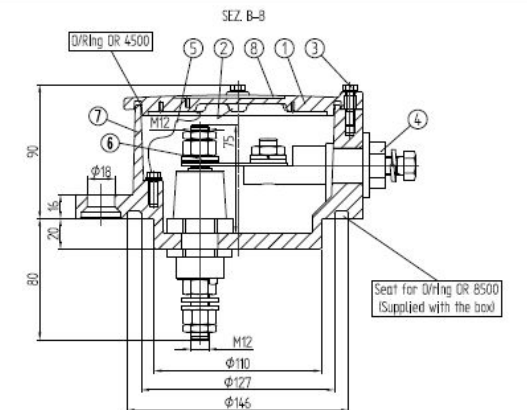
LEDASPE S.r.l. COPYRIGHT RESERVED  
 THE REPRODUCTION, DISTRIBUTION AND UTILIZATION OF THIS DOCUMENT AS WELL AS THE COMMUNICATION OF ITS CONTENTS TO OTHERS WITHOUT EXPRESS AUTHORIZATION IS PROHIBITED. OFFENDERS WILL BE HELD LIABLE FOR THE PAYMENT OF DAMAGES. ALL RIGHTS RESERVED IN THE EVENT OF THE GRANT OF A PATENT, UTILITY MODEL OR DESIGN.

IMPRESSION  
 M 11  
 M 11  
 M 11  
 M 11  
 M 11  
 M 11



Grounding terminal box  
 type SM4-CGP (11-50NT M12)

SHEET NUMBER  
 SHEET  
 1/1



Execution according to IEC 60076-22-7

- Painting: RAL7033
- Corrosive class: C4-H
- Execution for Oil mineral origin
- IP protection class: IP65
- Withstand insulation voltage between terminals & between terminals and ground: 10 kV a.c.
- Current rating (continuous): 250 A
- Short time current (10s): 400 A

LEDASPE ordering code: TB501C0001

Pos.	Description
1	Terminal box cover
2	Terminal identification label
3	Cover assembly screw
4	Ground terminal
5	Cover holding wire
6	Terminal
7	Terminal box housing
8	Terminal box identification label
10	Terminal connection link