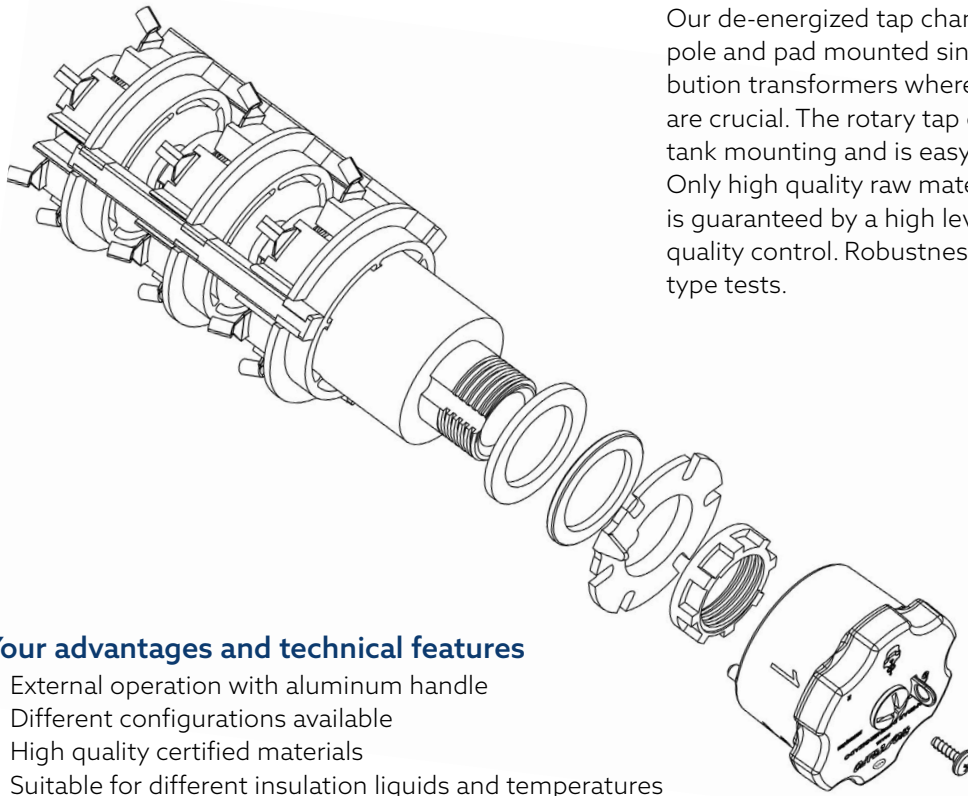




Rotary de-energized tap changers

Your advantage for distribution transformers

Compact design, reliable and easy to install



Our de-energized tap changer is the perfect choice for pole and pad mounted single and three-phase distribution transformers where dimensions and reliability are crucial. The rotary tap changer is ideal for sidewall tank mounting and is easy to install and to connect. Only high quality raw materials are used and production is guaranteed by a high level of standardization and quality control. Robustness is certified by IEC and IEEE type tests.

Your advantages and technical features

- External operation with aluminum handle
- Different configurations available
- High quality certified materials
- Suitable for different insulation liquids and temperatures
- All gaskets in VITON® and double o-ring gasket system
- Contacts in copper 99.9% grade with silver plating
- Easy to install and adaptable for different transformer wall thicknesses
- Short delivery time

Your advantages at a glance



Reliable

- Type tests according to IEC and IEEE
- Certified materials with quality insurance for each tap changer



Long service life

- Robust and weather-resistant cast aluminum handle
- Coating in accordance with ASTM B 117/2016 – ISO 9227/2012 standards
- Maintenance-free

Technical information and variants	
Rotary tap changers	
Application	For distribution transformers filled with insulating liquid
Connection	Delta / Star / Series parallel
Handle	External
Position / Taps	2-3-4-5-6-7
Phases	1-2-3
Amperes (A)	40 - 60
Voltage class (kV)	15 - 25 - 36
BIL (kV)	170 - 200
Standards	IEC 60214 / IEE Std. C.57.131 / NBR 5440



Possible uses

- Can be used in different insulation liquids and ambient temperatures
- One-stop shopping



Quick and easy assembly

- Adaptable for different tank wall thicknesses
- Crimped connection leads from transformer windings
- Simple operation (push and turn handle)

→ [More Information](#)

Product manufactured by
Riotrafo Ltda.
Av. Santos Dumont, 213
São José Rio Pardo - Brazil

Maschinenfabrik Reinhausen GmbH

Falkensteinstraße 8
93059 Regensburg
Germany
+49 941 4090-0
info@reinhausen.com
[reinhausen.com](https://www.reinhausen.com)

Please note:
The data in our publications may differ from the data of the devices delivered.
We reserve the right to make changes without notice.
Rotary de-energized tap changers - EN - uw - 12/22
©Maschinenfabrik Reinhausen GmbH 2022