

# MESSKO® COMPACT SERIES OIL TEMPERATURE ORDERING SPECIFICATIONS.

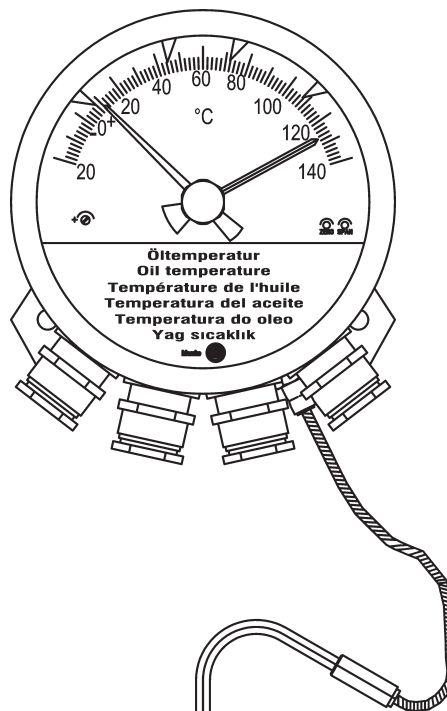


MESSKO INSTRUMENTS

## MESSKO® Compact Series Type MT-ST160SK(TT) – Oil Temperature

Project/Reference: \_\_\_\_\_

Type	
<input type="checkbox"/>	Measuring range -20...+140 °C, PVC protection
<input type="checkbox"/>	Measuring range -20...+140 °C, PVC protection, 4-20 mA Analogue output (TT)
<input type="checkbox"/>	Measuring range -20...+140 °C, Stainless steel protection
<input type="checkbox"/>	Measuring range -20...+140 °C, Stainless steel protection 4-20 mA Analogue output (TT)

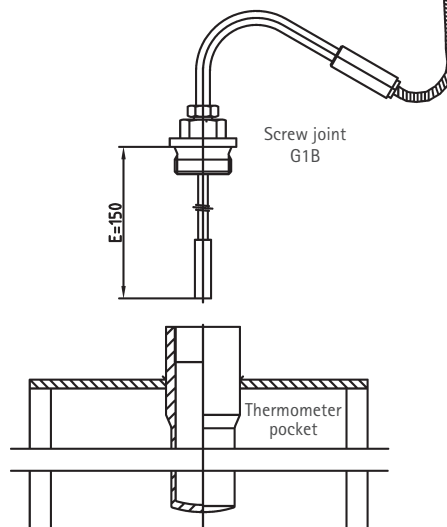


Microswitches	
<input type="checkbox"/>	2 Microswitches (change-over contact)
<input type="checkbox"/>	4 Microswitches (change-over contact)
<input type="checkbox"/>	5 Microswitches (normally open contact)
<input type="checkbox"/>	6 Microswitches (normally open contact)
Others on request	



Switching range				
1	2	3	4	
red	blue	green	yellow	
				1 and 2 narrow standard

Length of capillary tube	
<input type="checkbox"/>	2 m Capillary tube
<input type="checkbox"/>	4 m Capillary tube
<input type="checkbox"/>	6 m Capillary tube
<input type="checkbox"/>	8 m Capillary tube
<input type="checkbox"/>	10 m Capillary tube
<input type="checkbox"/>	12 m Capillary tube
Others on request	



Special types				
<b>Special measuring range</b>				
<input type="checkbox"/>	Measuring range 0...+160 °C			
Others on request				
<b>Special screw joint</b>				
<input type="checkbox"/>	G3/4" B			
<input type="checkbox"/>	M27 x 2			
Others on request				
<b>Offshore model</b>				
<input type="checkbox"/>	Offshore model			
Others on request				
<b>Special switching range</b>				
<input type="checkbox"/>	3 and 4 narrow			
<input type="checkbox"/>	1 + 2/3 + 4 narrow			
Others on request				
<b>Switching range</b>				
1	2	3	4	
red	blue	green	yellow	
				3 and 4 narrow
				1+2/3+4 narrow

Please enclose this order form filled in the order.

# MESSKO® COMPACT SERIES OIL TEMPERATURE TECHNICAL DATA.

MESSKO® MT-ST160SK(TT)	Technical Data
<b>Material</b>	
Housing (standard)	Galvanised sheet steel
Mounting ring and housing	Powder coated, bayonet fixing ring with silicone seal
Viewing glass	Laminated safety glass with UV filter
Temperature sensor	Brass, angled off
Mounting plate	Stainless steel
Capillary tube	Copper capillary tube with a PVC or stainless steel protection
Cable gland	4 used M25 x 1.5 made of brass and nickel-plated
Sensor screw joint	Thread G1B equivalent to BSP1", brass metallic bright
<b>Characteristics</b>	
Measuring range	- 20...+140 °C
Tolerance	Category 1 according to DIN EN 13190
Site of installation	Indoors and outdoors, tropicalised
Ambient temperature	- 50...+80 °C
Degree of protection	IP55 according to DIN VDE 0470-1
Ventilation	The ventilation system provided keeps the glass free of condensation up to a level of 80% rel. air humidity
Maximum pointer	All thermometers are equipped with a resettable red coloured maximum pointer
Weight	Approx. 2.5 kg (6 m capillary tube)
Analogue output (optional)	4...20 mA (a supply voltage is required)
<b>Microswitches</b>	
Quantity	1...6 adjustable microswitches (1...4 change-over microswitches)
Contact load	AC: 250 V/5 A/cos $\varphi$ = 1 DC: 250 V/0.4 A (non-inductive) 110 V/0.6 A; 60 V/1 A; 24 V/4 A (non-inductive)
Minimum switching displacement	6% of the measuring range
Contact material	Silver cadmium oxide (AgCdO10)
Rated insulation voltage	AC: 2.500 V/1 min.
Switching hysteresis	Approx. 5 °C
Terminals	Min. 0.25 mm <sup>2</sup> /max. 2.5 mm <sup>2</sup>

## Messko GmbH

Gewerbegebiet An den Drei Hasen  
Messko-Platz 1  
61440 Oberursel, Germany

Phone: +49 6171 6398 0  
Fax: +49 6171 6398 98  
Email: [info@messko.com](mailto:info@messko.com)

[www.messko.com](http://www.messko.com)

### Please note:

The data in our publications may differ from the data of the devices delivered. We reserve the right to make changes without notice.

