

ENQUIRE FORM FOR DT

(Model 085 - 086 - 090 - 095 - 096 - 099)

24 kV - 36 kV

DQ 209

EDI 08/00

| | | | | | | |
|---|--------------------------|----------------------------|------------|--|------|--|
| 1 | CUSTOMER | | kVA | | Q.TY | |
| | OFFER FOR TENDER PURPOSE | OFFER FOR ASSIGNED PROJECT | N° PROJECT | | | |

| | | | | | | | |
|----|--|--------------------------------|------------------------------------|-----------------------|-----------------------------------|--------|--------|
| 2 | CAPT MODEL | LINEAR TYPE | | 090 | 095 | 096 | |
| | | ROTATIVE TYPE | | 085 | 086 | | |
| | | CABLE TYPE | | 099 | | | |
| 3 | NO. OF PHASES | 1-PHASE | 2-PHASE | 3-PHASE | 6-PHASE | OTHER: | |
| 4 | NO. OF DECKS | SINGLE | DOUBLE | TRIPLE | QUADRUPLE | OTHER: | |
| 5 | TYPE OF CONNECTION | BRIDGE | LINEAR | WYE | Y/D | S/P | |
| | | COMBINATION: | | | | | |
| 6 | SHAFT DIMENSION (included cover thickness not for series 090-096) | SERIES 090 : | * 50 mm | 70 mm | 90 mm | 100 mm | |
| | | * Only for 24 kV | 130 mm | 150 mm | 180 mm | 200 mm | |
| | | SERIES 095: | 150 mm (standard) | | | OTHER: | |
| | | SERIES 096: | 91 mm | 131 mm | | | |
| | | SERIES 085/086: | 500 mm (standard) | | | OTHER: | |
| 7 | | "T" DISTANCE (series 095 -096) | (only in case of more than 1 deck) | | | 52 mm | OTHER: |
| 8 | VOLTAGE CLASS (kV) | 24 | | | 36 (not available for series 085) | | |
| | | BIL (kV) | 125 | 150 | 170 | 200 | |
| 9 | CURRENT (A) | SERIES 090: | 10 | 30 | 65 | | |
| | | SERIES 095/096/099: | 30 | 60 | 150 | 200 | |
| | | SERIES 085: | 100 | | | | |
| | | SERIES 086: | 150 | 200 | 300 | | |
| 10 | NO. OF POSITIONS | | | | | | |
| 11 | SILVER PLATED CONTACTS | NO | YES | FIXED | MOVING | COMMON | |
| 12 | STAINLESS STEEL SHAFT | NO | YES | | | | |
| 13 | FLEXIBLE COPPER WIRE (only for tubular contacts) | NO | YES | S. (mm ²) | LENGHT (mm) | | |

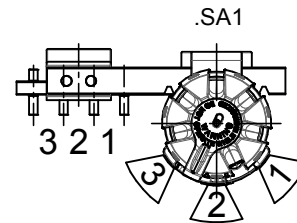
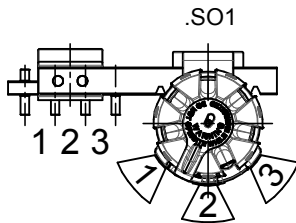
DRIVE

| | | | | |
|----|-----------------------------------|---------------|-------------------------|---------------------------|
| 14 | KNOB | POLYAMIDE | ALUMINUM | PROTECTIVE COVER |
| 15 | TYPE OF GASKETS | -25°C / 105°C | Low temperature (-60°C) | High temperature (+200°C) |
| 16 | DRIVE HANDLE | | | |
| 17 | TREATMENT "GEOMET®" on request | NO | YES | |
| 18 | WHEEL (only for series 085/086) | | | |
| 19 | NUMBERING (Annex 1) | "SO" | "SA" | |

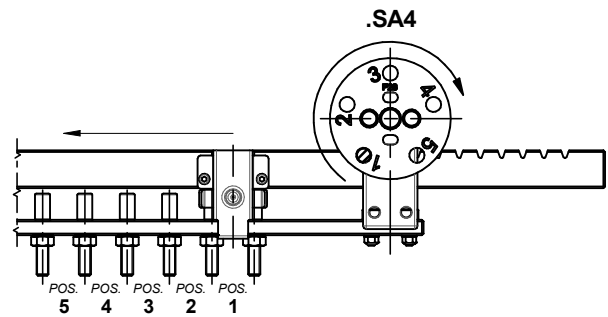
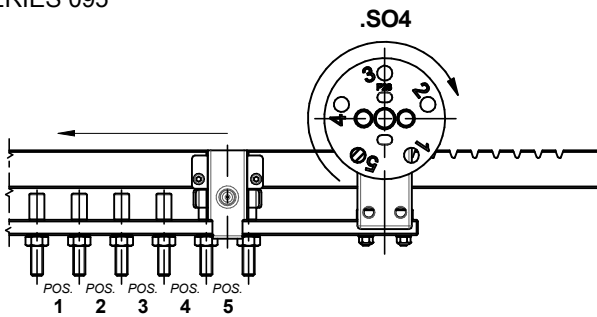
Notes:

TAP CHANGERS DRIVE - NUMERATIONS -

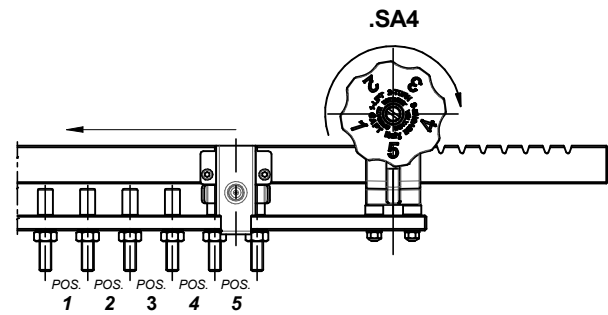
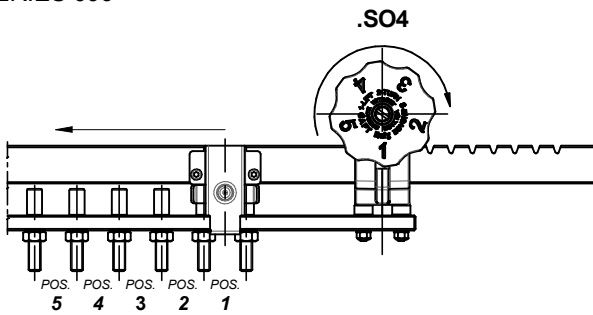
SERIES 090



SERIES 095



SERIES 096



SERIES 099

