



MESSKO® MPREC®
PRESSURE RELIEF DEVICE

MR

AGENDA

1. Transformer Safety Device
2. Application
3. What Do You Expect from a Pressure Relief Device?
4. Benefits
5. Reference

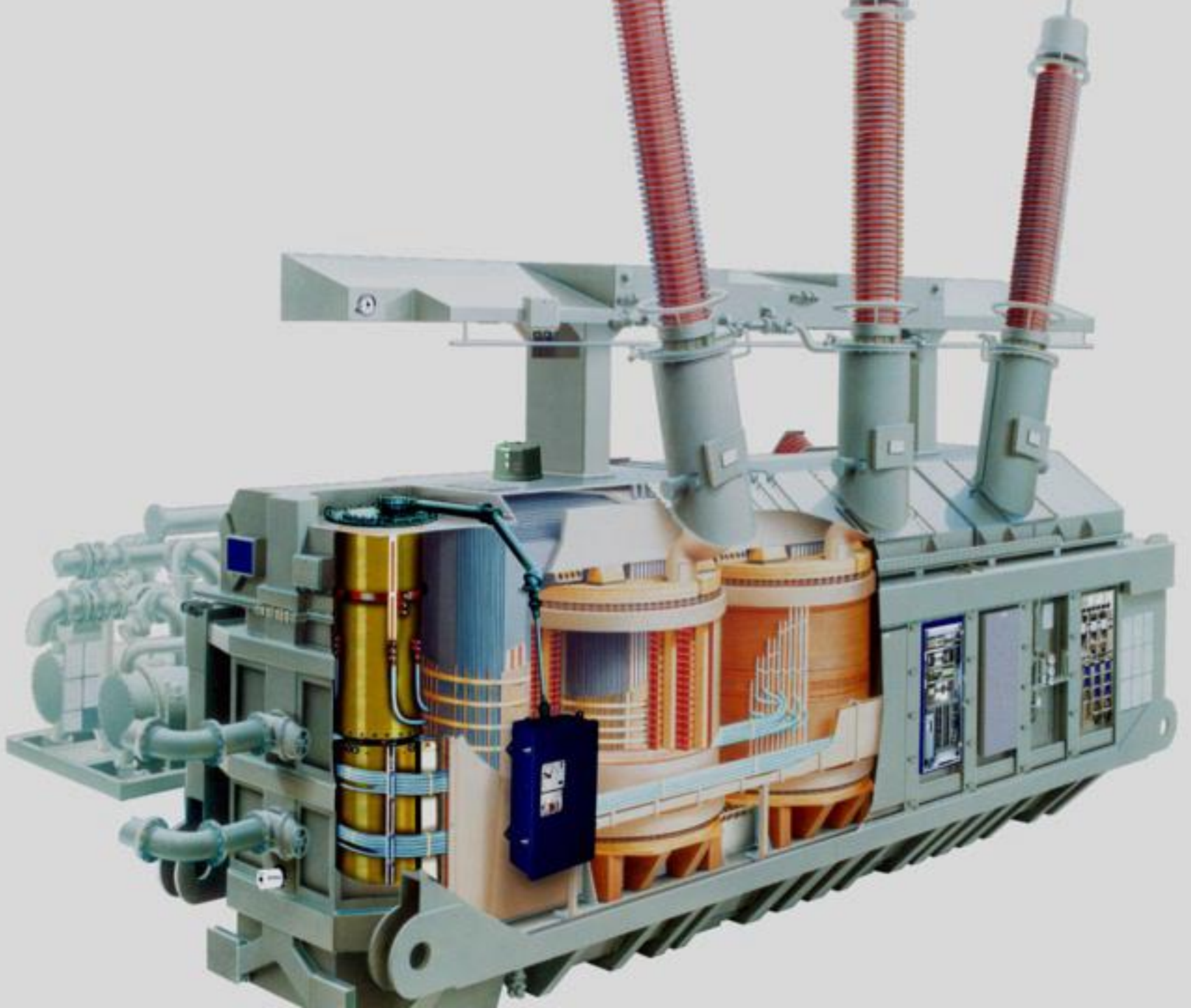
TRANSFORMER SAFETY DEVICE - PRESSURE

| Burst plate, integrated in tap-changer cover



| Pressure Relief Device for OLTC and Transformers





APPLICATION

APPLICATION

- | Protection of power transformers and on-load tap-changers (OLTC) against overpressure (tank rupture)
- | Overpressure is result of internal arcing due to faults
- | PRDs should only release at defined pressure, release oil or gas quickly and seal tightly afterwards



Secure protection of your power transformer

MESSKO SOLUTION

- | Cover with inlaying micro-switches
- | Protection of springs and gaskets against external influences
- | Defined stroke (4mm) up to forced activation of switching contacts
- | Aluminum signal pin with notch to prevent from backslide
- | KTL coated springs according to DIN 2095
- | Additional inlaying gasket
- | Opening within milliseconds; re-closure time within 70ms

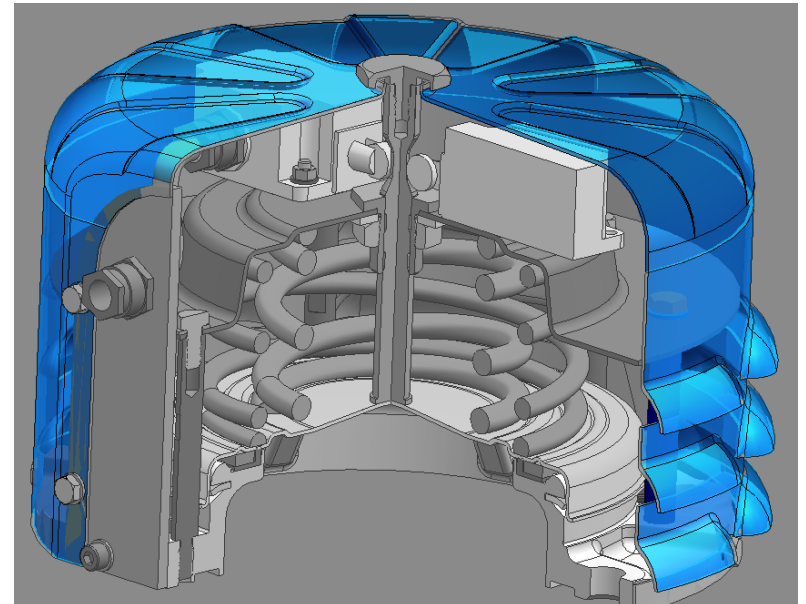
WHAT DO YOU EXPECT FROM A PRD?

- | Protection of the main parts against environmental influences



MESSKO SOLUTION:

- | Protective Cover

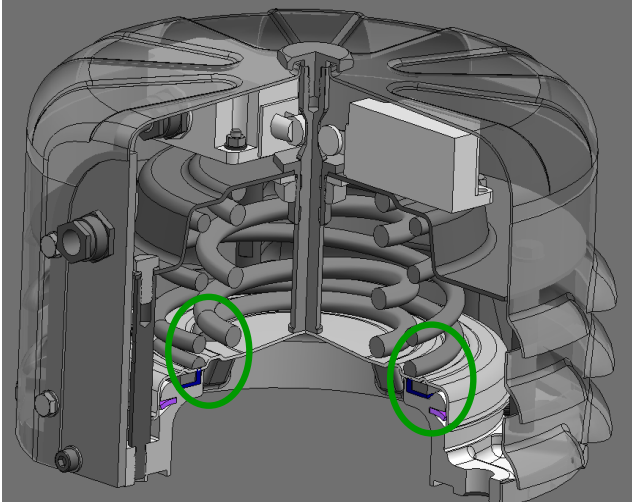
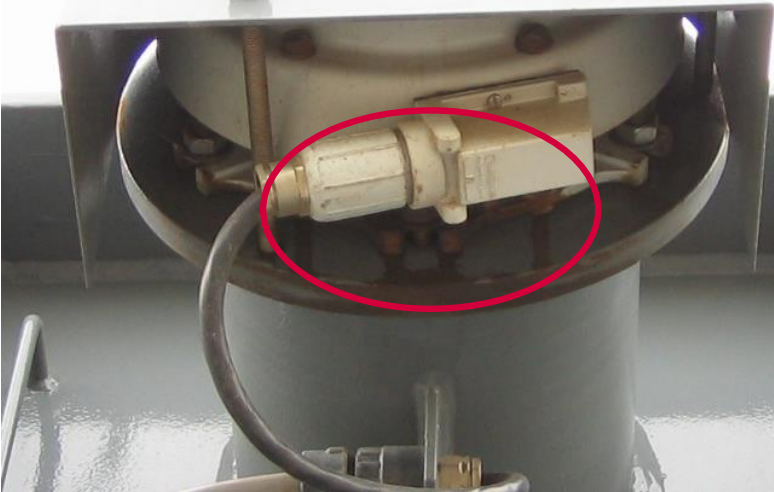


WHAT DO YOU EXPECT FROM A PRD?

MESSKO SOLUTION

- No leakage problems

- Special inlaying gasket design



WHAT DO YOU EXPECT FROM A PRD?

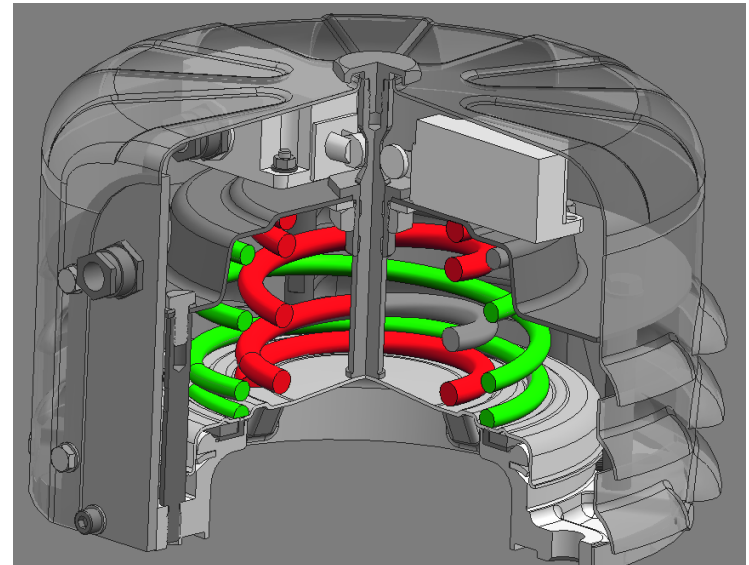
- Prevent erroneous releases and fatigue failure; Open within 2ms
- No corrosion of the springs



MESSKO SOLUTION

- Precision KTL* coated springs acc. DIN 2095

* KTL – plastic-coated customer-specific part painting



WHAT DO YOU EXPECT FROM A PRD?

- | Clear signaling
- | No false tripping
- | Sea-water and corrosion resistant materials
- | Min. IP65 / NEMA 4X protection



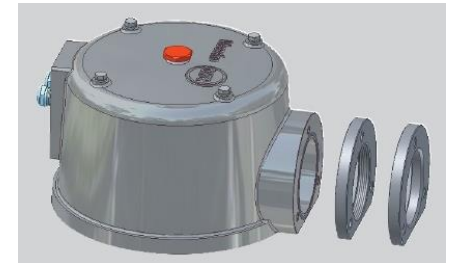
MESSKO SOLUTION

- | Self-locking signal pin
- | Terminal box



EXTRA COVER: TARGET IS DIRECTED OIL FLOW

- | Standard protection cover with defined oil flow
- | Additional protective cover with flange connections
- | Protection against injuries with hot oil
- | Sufficient openings for escaping oil

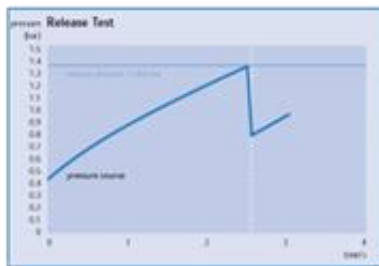


Different flanges

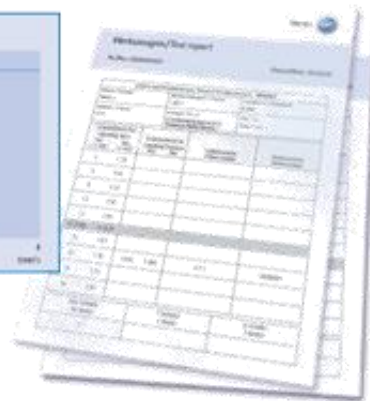


BENEFITS

- Quick and secure release of the overpressure within milliseconds at a defined pressure
- Directed oil/gas flow into a compartment



A separate report is written for each individual test.
This is a security guarantee for our customers that our employees confirm through their signatures.



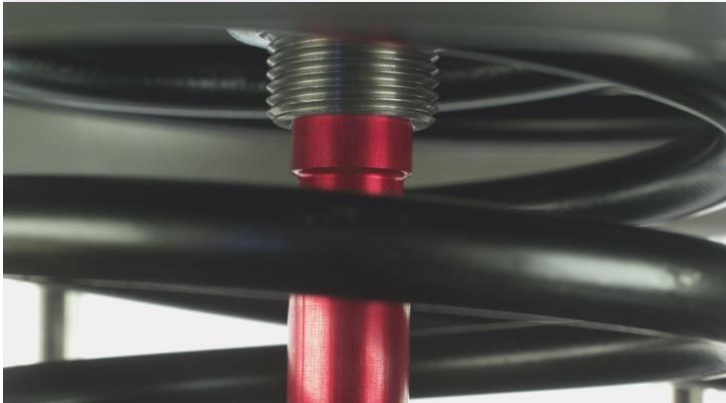
- Secure function even after decades
- No leakages after pressure relief
- Individual test report

REFERENCE

ESKOM – UBEJANE MOBILE TRANSFORMER – SOUTH AFRICA



MESSKO® MPREC® PRESSURE RELIEF DEVICE



Get the latest software, firmware and operating instructions for your
MESSKO® products from



www.reinhausen.com/messko-downloadcenter

THE POWER BEHIND POWER.

www.reinhausen.com

