



MESSKO® MSafe® Accessories

Project/Reference: \_\_\_\_\_

### MESSKO® Gas sampler

- Gas sampler \*)
- \*) Other versions on request

### Color Gas sampler

- RAL 7033
- RAL 7038 (similar ANSI 70 light grey)
- Other colors on request

### Accessories Gas sampler

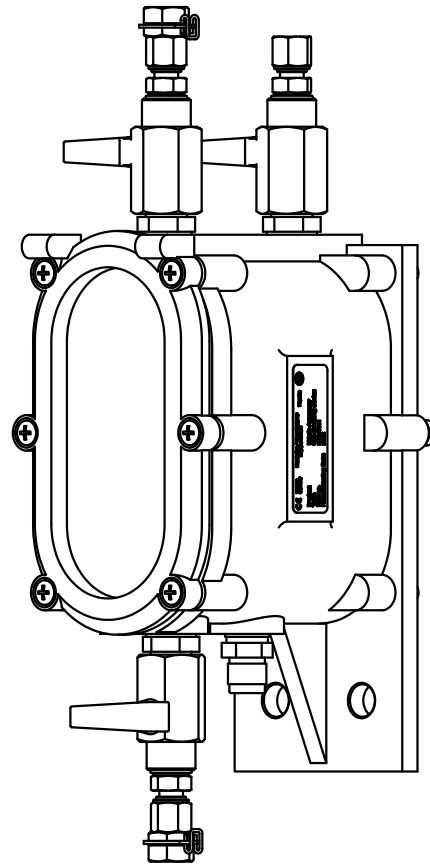
- Adapter plate (refer to page 4)
- PTFE tube (25 m; Ø 6x1 mm)  
incl. 2 x tubular stiffener Ø 6 mm
- Pipe connector (straight) Ø 6x1 mm
- Hand pump (refer to page 4)
- Foot pump (refer to page 4)

### Accessory copper pipe \*) (Ø 6x1 mm) for Gas sampler

- 5 m
- 6 m
- 7 m
- 10 m
- 12 m
- 15 m
- 20 m
- \*) Only in combination with  
Gas sampler

### MESSKO® Gas Quick Test

- MESSKO® Gas Quick Test Set (refer page 2)
- 1 set detector tubes \*)
- \*) 5 x detector tubes for carbon monoxide  
5 x detector tubes for hydrogen



Please enclose this order form filled in the order.

<b>MESSKO® Gas sampler</b>	
	<b>Housing</b>
Materials	Aluminium casting, powder coated, RAL 7033 oder 7038; other versions on request
Dimensions (B x H x T)	74 mm x 289 mm x 119 mm
Mounting	2x bore holes for 2 screws (max. M10) or via optional adapter plate
Inspection glass	UV filter glass
Gas withdrawal	Ø 6x1 mm pipe
Oil output	Ø 6x1 mm pipe
	<b>Characteristic data</b>
Viscosity of isolation liquid	< 1100 mm <sup>2</sup> /s
Temperature of isolation liquid	-30 to +120° C
Ambient temperature	-50 to +80° C
Weight	1.5 kg

<b>Connecting pipe</b>	
Dimensions of tube	6x1 mm pipe
Tube length	5 m, 6 m, 7 m, 10 m, 12 m, 15 m or 20 m copper pipe or 25 m PTFE pipe

<b>MESSKO® Gas Quick Test Set</b>	
Dimensions (B x H x T)	280 mm x 235 mm x 85 mm
Detector tubes for hydrogen	5 x
Detector tubes for carbon monoxide	5 x

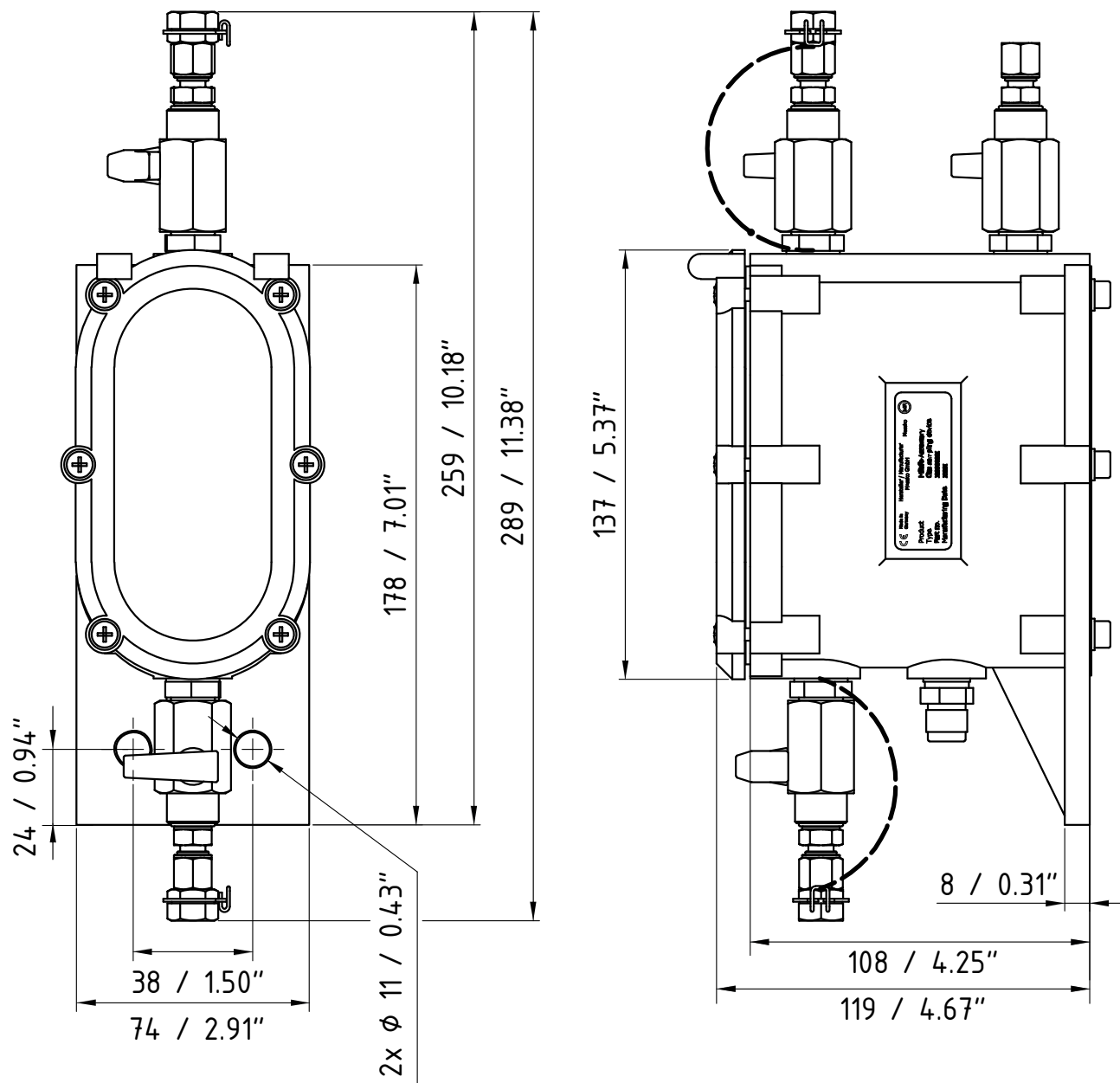
### MESSKO® Gas Quick Test Set



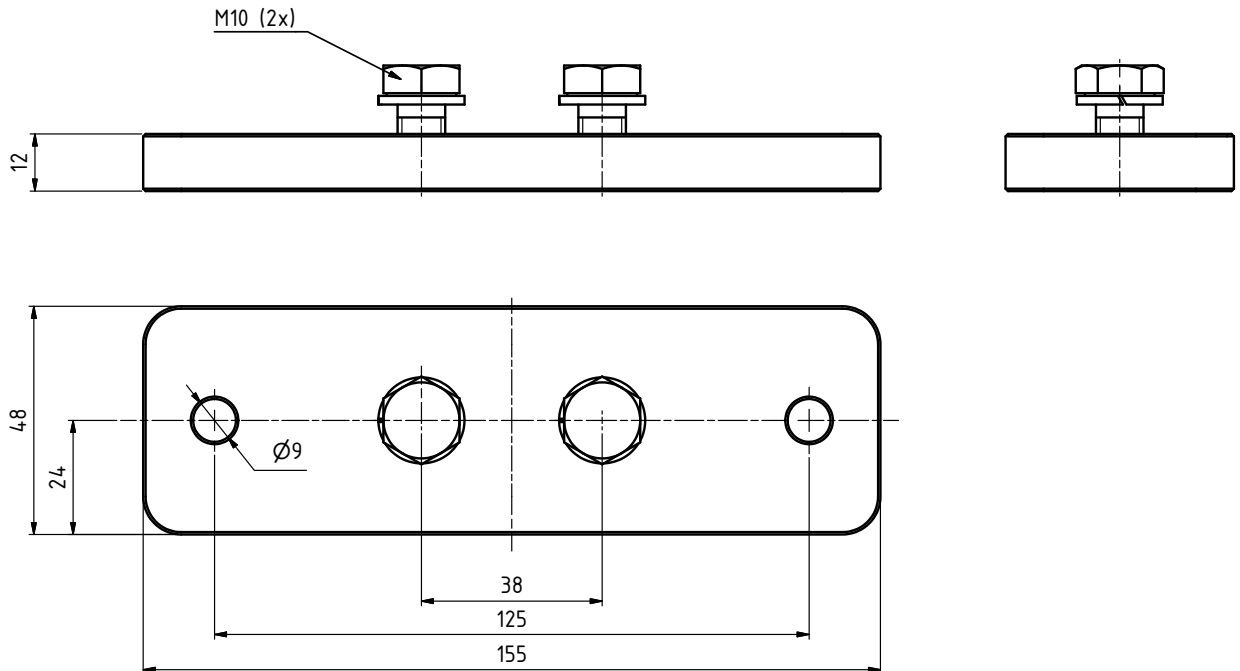
#### Scope of delivery:

- Detector tubes for carbon monoxide (5x)
- Detector tubes for hydrogen (5x)
- Detection tube cutter
- Y connector
- Sealing plug (2x)
- Operating instructions
- Transport case

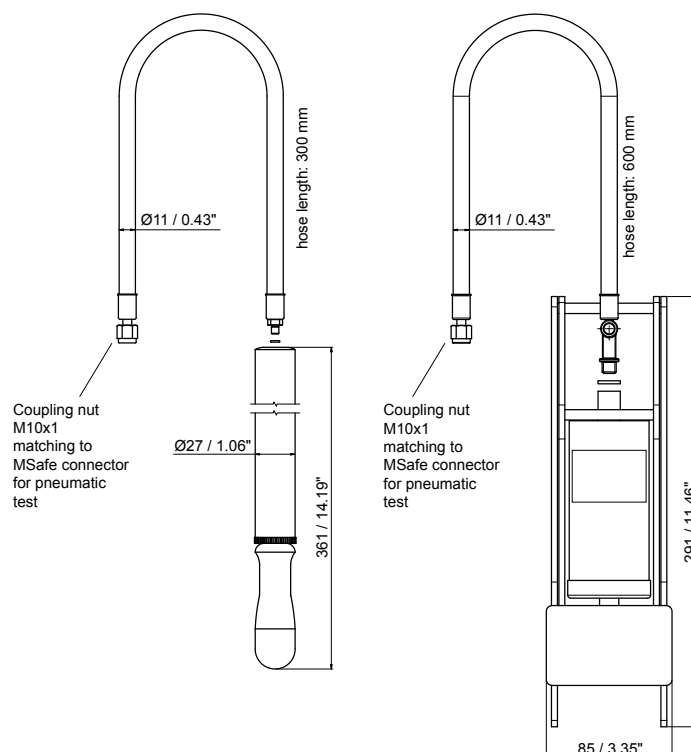
Dimensions MESKO® Gas sampler



### Dimensions gas snampler adapter plate (optional)



### Hand and foot pump



Please remember: The information contained in all our publications may differ in detail from the actual device supplied. Subject to change without prior notice.

