

MPreC® – Pressure Relief Device

Technical data

Messko



| Type | PSI | Bar | kPa |
|----------|------------|----------|---------|
| LMPRD 04 | 4 PSI ± 1 | 0.28 bar | 28 kPa |
| LMPRD 05 | 5 PSI ± 1 | 0.35 bar | 35 kPa |
| LMPRD 06 | 6 PSI ± 1 | 0.41 bar | 41 kPa |
| LMPRD 08 | 8 PSI ± 1 | 0.55 bar | 55 kPa |
| LMPRD 10 | 10 PSI ± 1 | 0.69 bar | 69 kPa |
| LMPRD 12 | 12 PSI ± 1 | 0.83 bar | 83 kPa |
| LMPRD 15 | 15 PSI ± 2 | 1.03 bar | 103 kPa |
| LMPRD 20 | 20 PSI ± 2 | 1.38 bar | 138 kPa |
| LMPRD 25 | 25 PSI ± 2 | 1.72 bar | 172 kPa |
| LMPRD 30 | 30 PSI ± 2 | 2.07 bar | 207 kPa |

| MPreC® | Materials |
|--------------------------|---|
| Flange | Seawater resistant cast aluminum |
| Standard cover | Seawater resistant aluminum, powder coated in RAL7033 or RAL7038 |
| Oil-directed cover | Seawater resistant cast aluminum, powder coated in RAL7033 or RAL7038, Nitrile (NBR) cover and flange seals are included in the range of delivery |
| Valve disk | Stainless steel |
| Seals | Nitrile (standard); Viton (optional) |
| Lip sealing | Viton |
| Springs | Spring steel acc. EN 10270-1 SH, synthetic coated (cathodic corrosion protection) |
| Indicator pin | Seawater resistant aluminum, red color for standard gasket (nitrile), blue for viton design |
| Semaphore | Stainless steel, powder coated in RAL1026, lime-yellow |
| Bleed screw | Stainless steel for oil bleeding or alternatively without bleed screw |
| | Dimensions |
| Mounting | Ø 235 mm (Ø 9.25") pitch hole circle for 6 fixing holes Ø 15.5 mm (Ø 0.61") |
| Cover | Ø 291 mm (Ø 11.46") standard cover, Ø 295 mm (Ø 11.61") oil-directed cover |
| Heights | please refer to page 5 |
| Mounting gasket | optional accessory available in nitrile or viton, Ø 200 x Ø 178,5 x 4,25 (Ø 7.87" x Ø 7.03" x 0.17") |
| | Operating temperatures |
| Ambient | -40°C to +80°C |
| Oil | -30°C to +120°C |
| | Micro-switches |
| Contacts | Per micro-switch 1 x NO, 1 x NC; galvanically isolated |
| Housing material | Seawater resistant aluminum |
| Utilization category | IEC 60947-5-1: AC-15 / DC-13 |
| Contact load | As per IEC 60947-5-1: AC: 240 V / 3A; 120 V / 6 A DC: 250 V / 1.1 A; 125 V / 2.2 A |
| Max. continuous current | 10 A |
| Rated insulation voltage | AC: 2,500 V / 1 min |

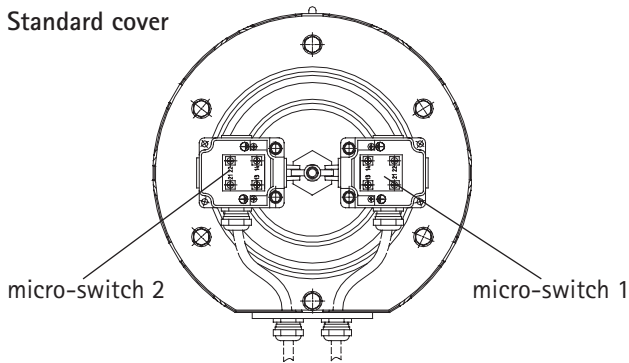
MPreC® – Pressure Relief Device

Connection data



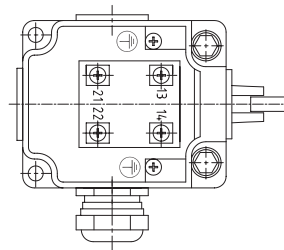
Cable gland connection

Standard cover

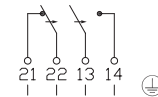
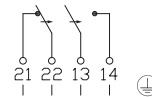
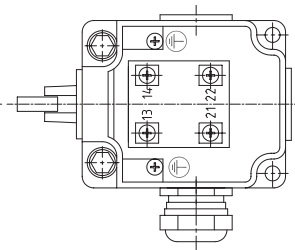


versions: - 1 micro-switch (only micro-switch 1)
- 2 micro-switches (both micro-switches)

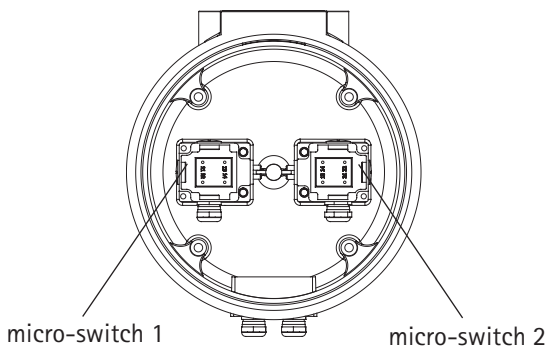
micro-switch 2



micro-switch 1



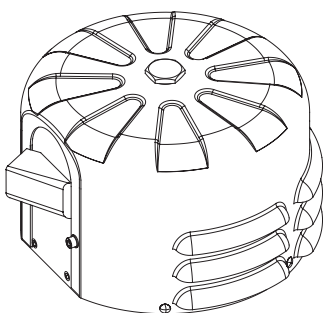
Oil-directed cover



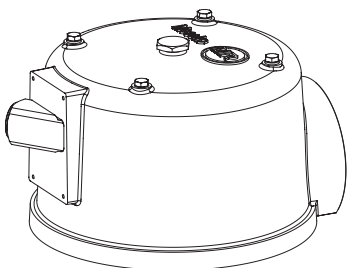
| MPreC® | Connection data |
|----------------------|---|
| Cable gland | All M20x1.5 (wrench size 24mm) for cables Ø8...15mm |
| 1 micro-switch | 1 x M20x1.5 micro-switch, 1 x M20x1.5 standing plate |
| 2 micro-switches | 2 x M20x1.5 micro-switch, 2 x M20x1.5 standing plate |
| Degree of protection | IP 65 acc. to IEC 60 529 (cover mounted) |
| Terminal clamps | Single core: 0.5...2.5mm ² , AWG 20-10 or Lead with ferrule: 0.5...1.5mm ² , AWG 20-15 |

ANSI and Westinghouse – connectors

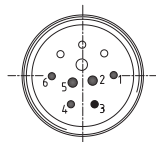
Standard cover



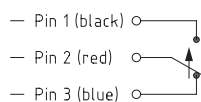
Oil-directed cover



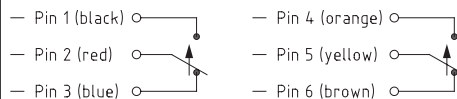
ANSI connectors



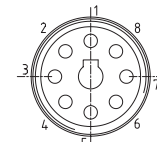
1 micro-switch



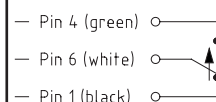
2 micro-switches



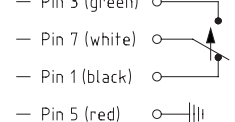
Westinghouse connectors



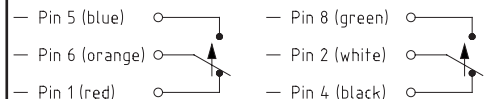
1 micro-switch without grounding



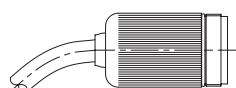
1 micro-switch with grounding



2 micro-switches without grounding



Connector



| MPreC® | Connection data |
|----------------------|--|
| Cable | 16 AWG, SOOW, 600V, Customized length on demand (24"...240" standard), 3 x AWG 16, cable Ø 10 mm or 6 x AWG 16, cable Ø 17 mm |
| Degree of protection | IP 65 as per IEC 60 529 (cover mounted) |

MPreC® – Pressure Relief Device

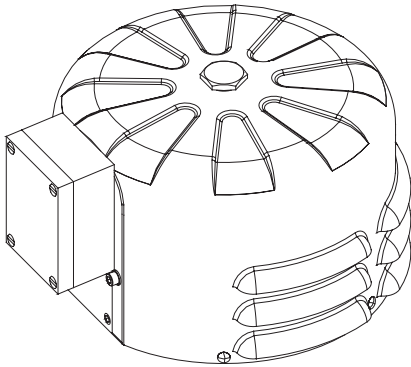
Connection data

Messko

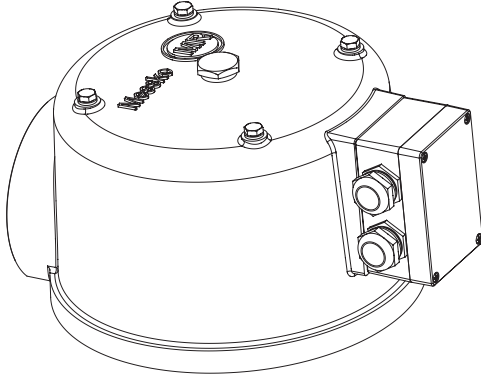


Terminal box

Standard cover

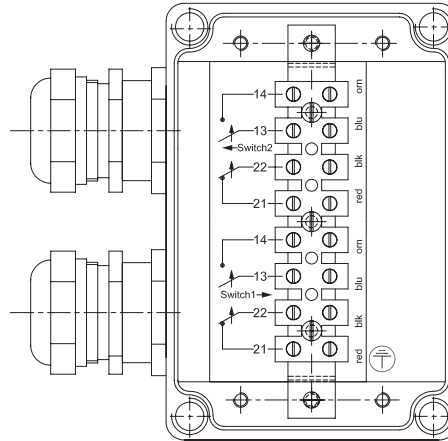


Oil-directed cover



versions:

- 1 micro-switch (only micro-switch 1)
- 2 micro-switches (both micro-switches)

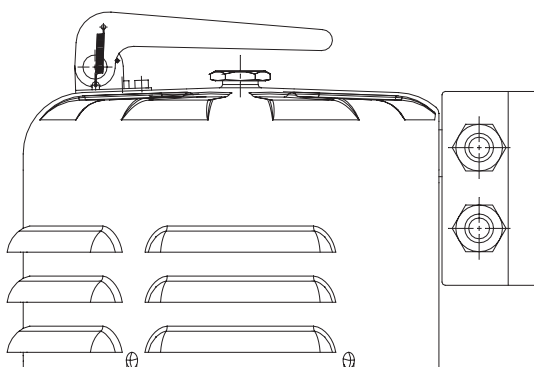


| MPreC® | Connection data |
|----------------------|---|
| Cable gland | 1 micro-switch: 1 x M25x1.5 2 micro-switches: 2 x M25x1.5 |
| Degree of protection | IP 65 as per IEC 60 529 (cover mounted) |
| Terminal clamps | Single core: 1...4mm ² , AWG 18-8 Lead with ferrule: 0.5...2.5mm ² , AWG 20-10 |

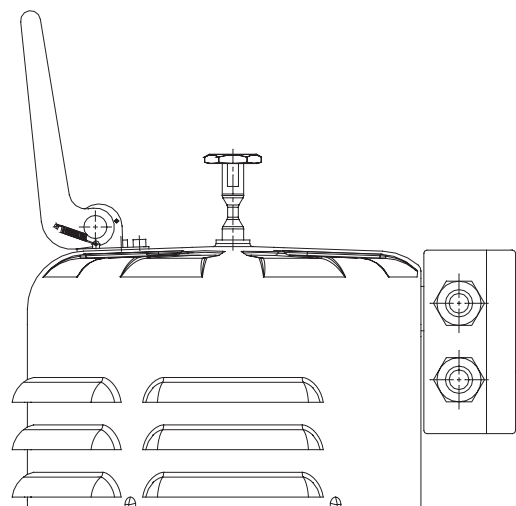
Semaphore

| MPreC® | Materials |
|--------------|---------------------------------------|
| Semaphore | Stainless steel |
| Signal color | Powder coated in lime-yellow RAL 1026 |

Position "OPERATION"



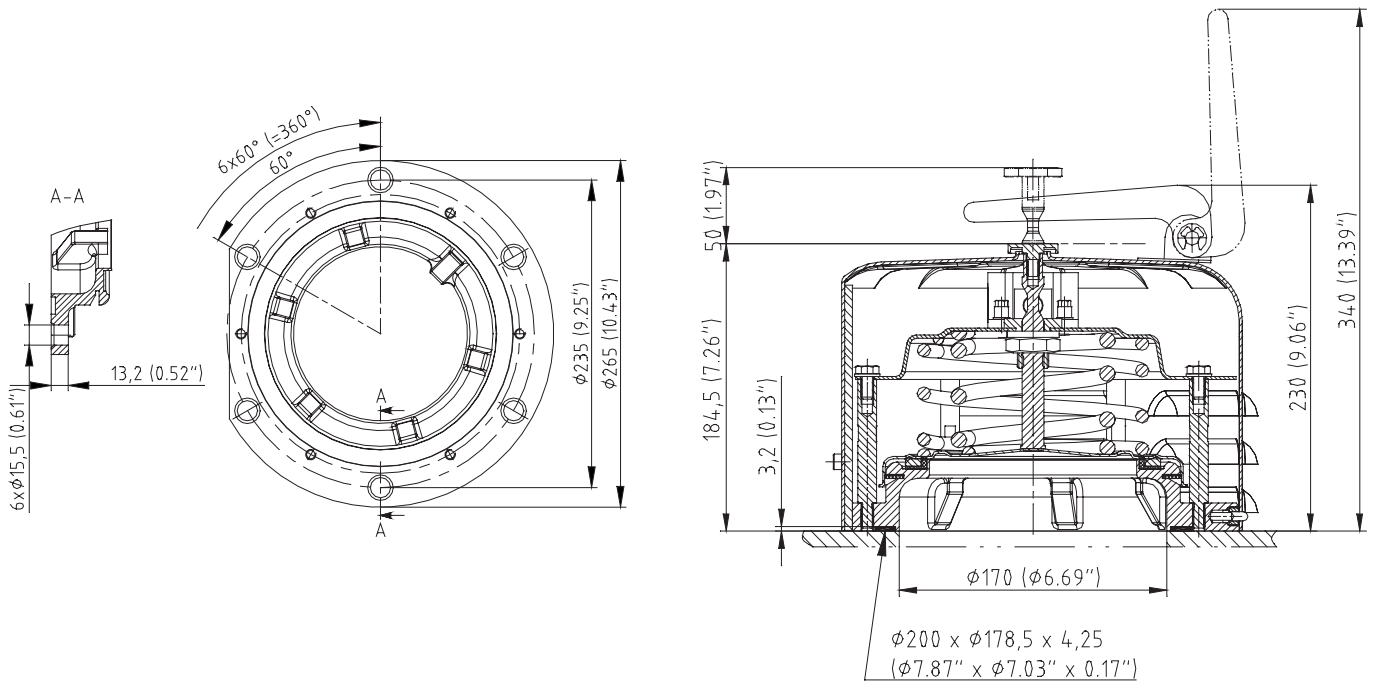
Position "ALARM"



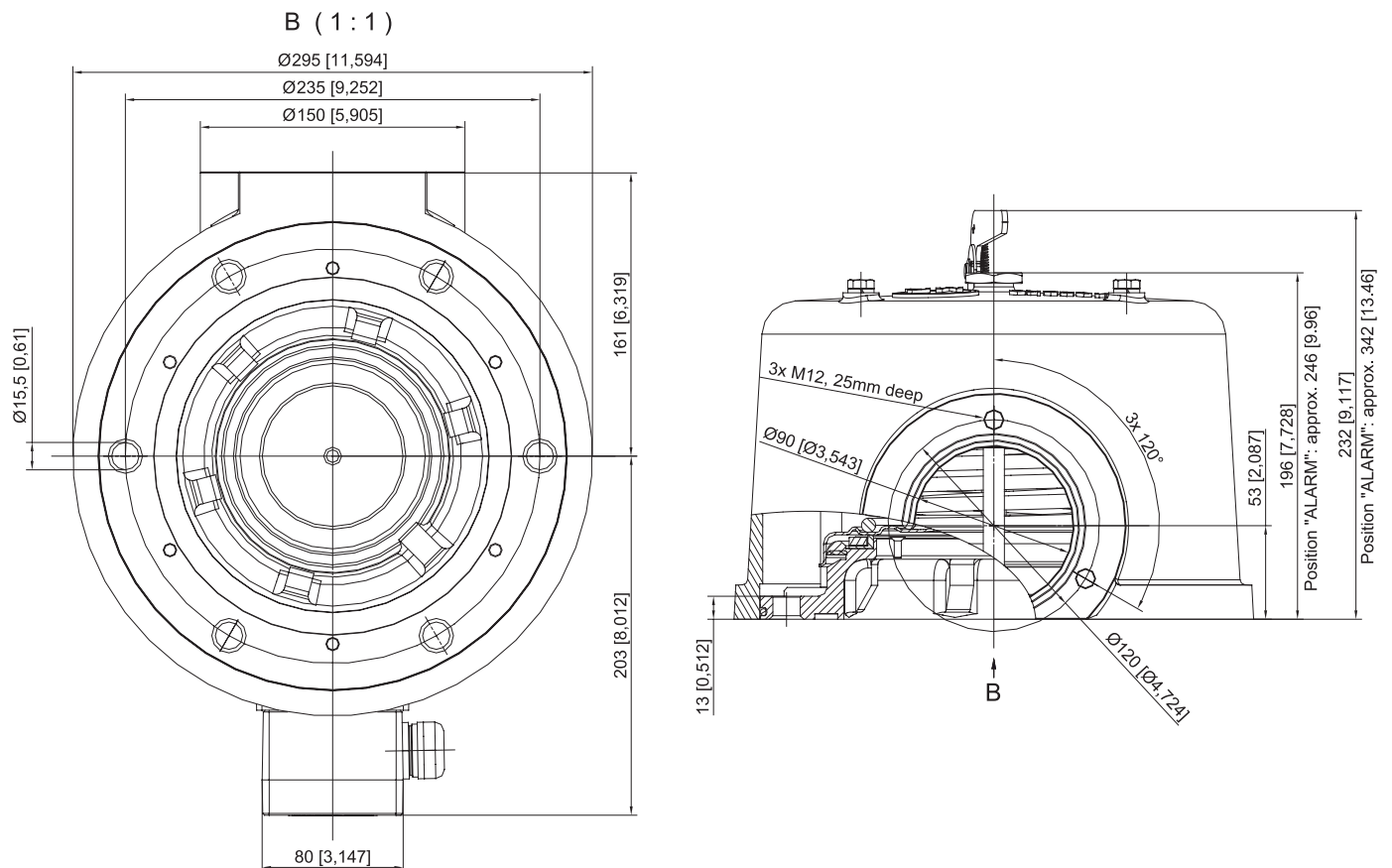
MPreC® – Pressure Relief Device Dimensions



Dimensions Standard Cover

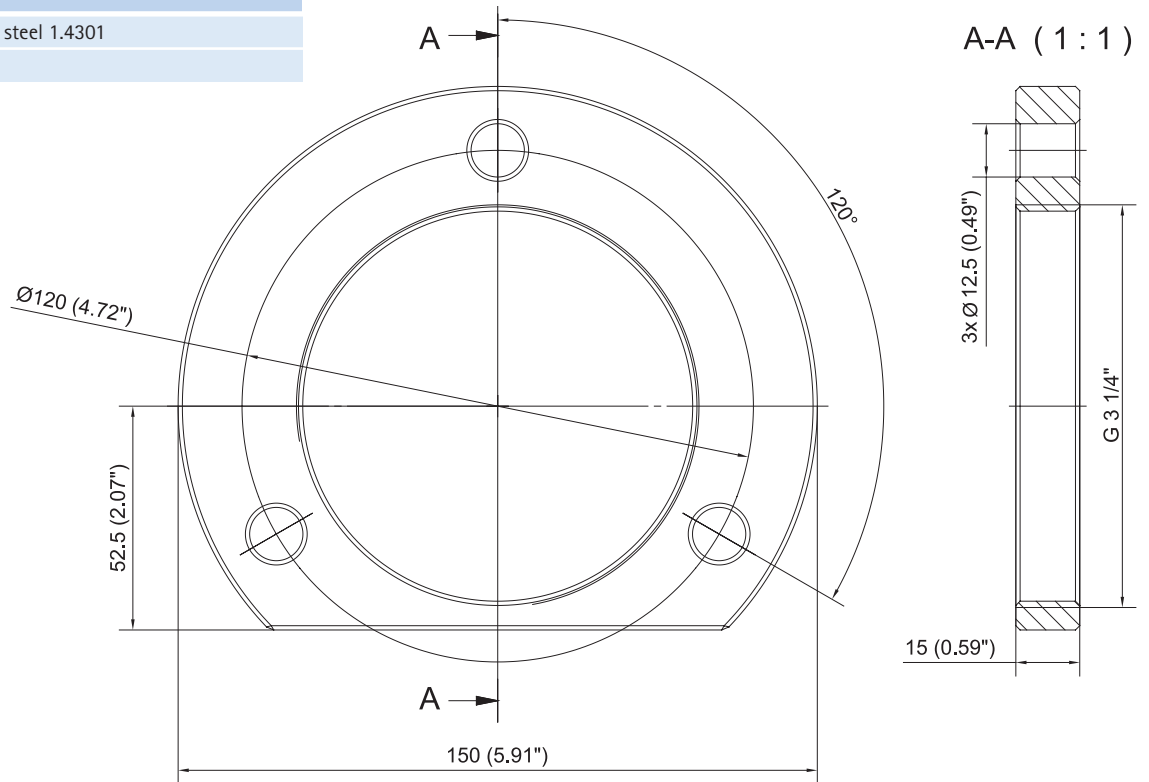


Dimensions Oil-Directed Cover

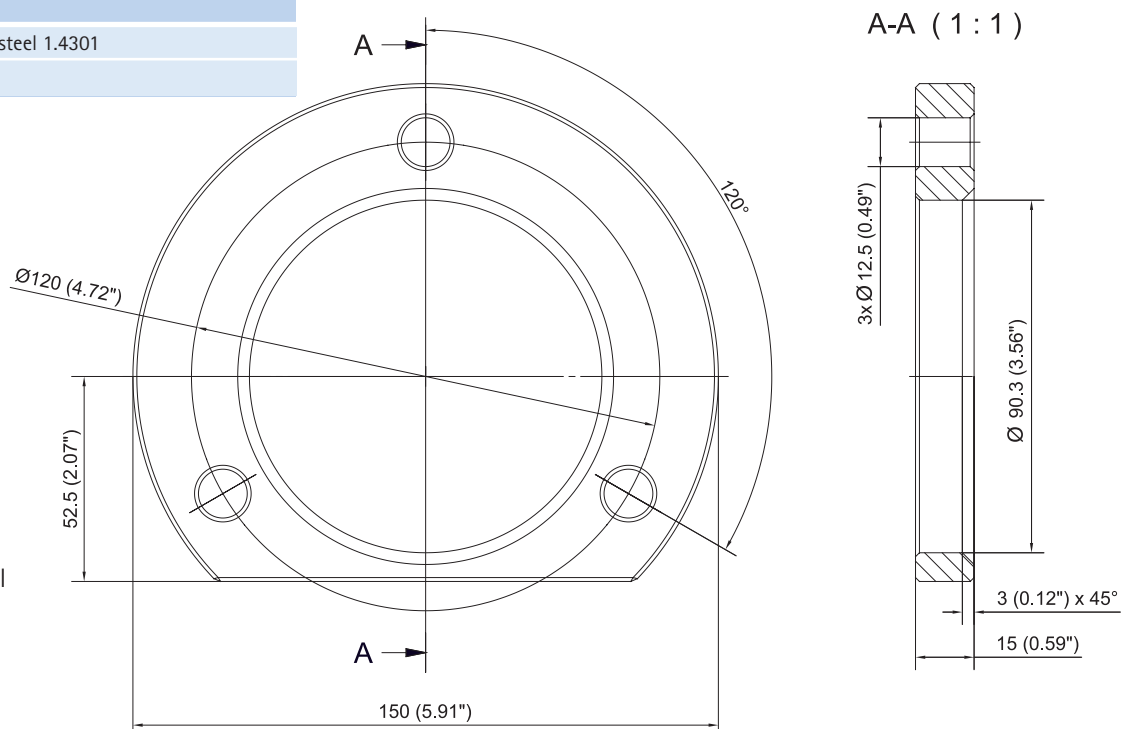


Flanges for oil-directed cover

| | |
|-----------|-----------------------------|
| MPreC® | Flange with internal thread |
| Material | Stainless steel 1.4301 |
| Order No. | 203000 |



| | |
|-----------|------------------------|
| MPreC® | Welding flange |
| Material | Stainless steel 1.4301 |
| Order No. | 203010 |



Important note:
 The information contained in all of our publications may differ in detail from the actual equipment delivered. We reserve the right to make alterations without notice.