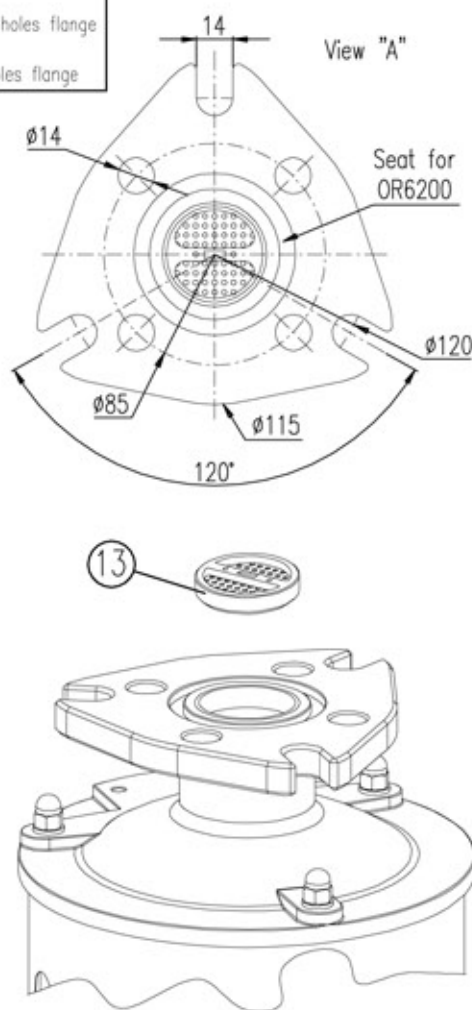
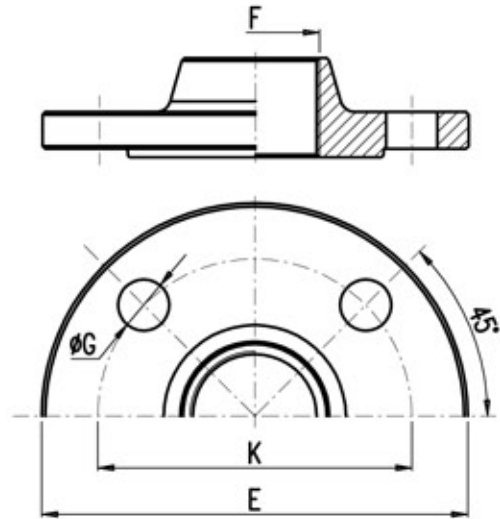
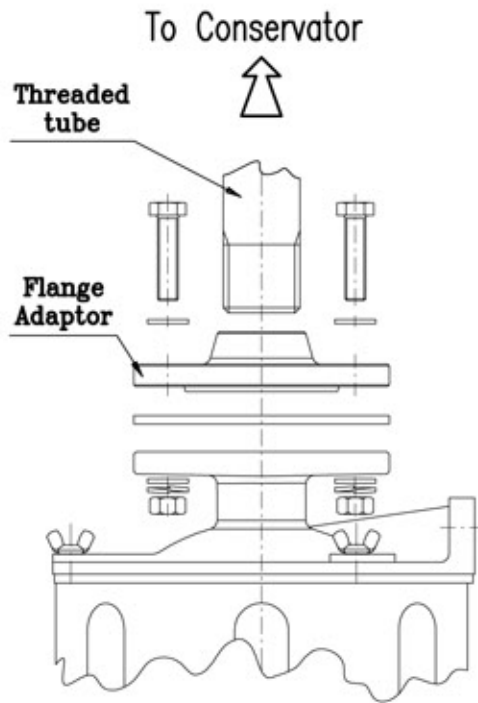


| Pos. | Description |
|------|-----------------------|
| 1 | Top cap |
| 2 | Domed nuts M6 DIN1587 |
| 3.7 | Gel container (Glass) |
| 3.9 | Gel container (PMMA) |
| 4 | Bottom cap |
| 5 | Mechanical valve |
| 6 | Air intake |
| 7 | Data plate |

Double fixation:
 - DN25/PN10 4 holes flange
 or
 - DIN42562 3 holes flange

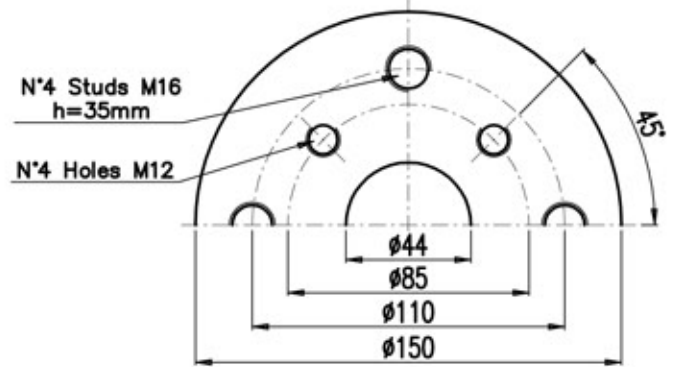
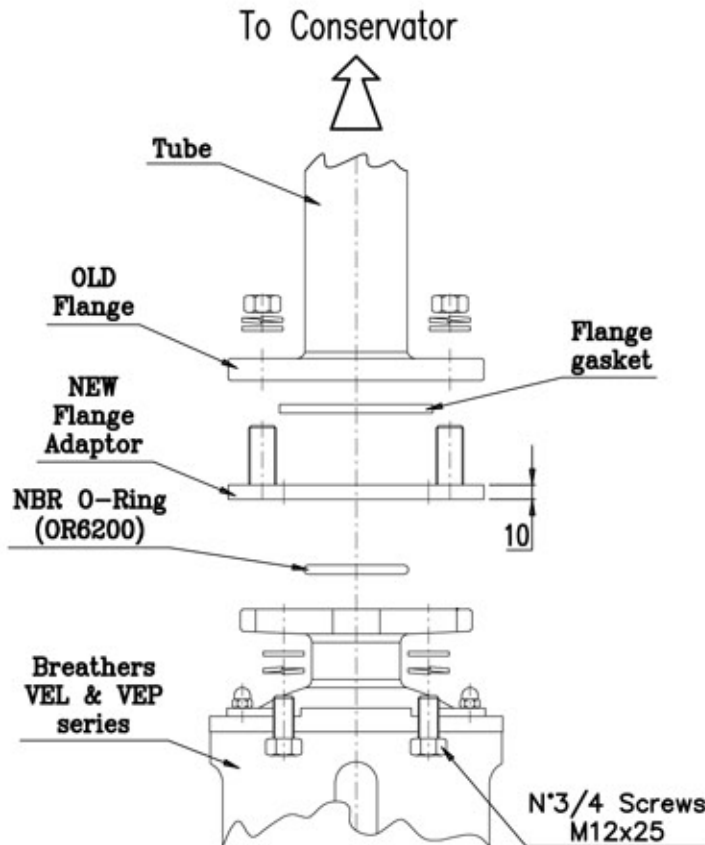


| Type | Transf. oil (Kg) | H (mm) | Gel container material | | G.W. Empty (Kg) | Silicagel | |
|--------|------------------|--------|------------------------|--|-----------------|-----------|----------------------|
| | | | | | | Q.ty | Vol. |
| VCP 10 | 3500 | 240 | PMMA | | 2.5 | 1 Kg | 1.35 dm ³ |
| | | | Glass | | | | |
| VCP 30 | 10000 | 445 | PMMA | | 5 | 3 Kg | 4.05 dm ³ |
| | | | Glass | | | | |

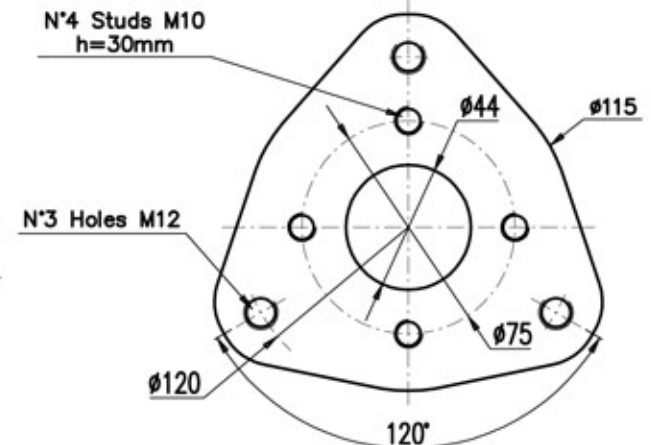


| | | | | | | | |
|------|-----|-----|---------|----|-------------------|------------------|----------------------------------|
| 3 | 115 | 85 | 1"1/2 G | 14 | VEP27-29-37-37 | Ex VE30/VE4-EL | Flange adaptor to 1"1/2 BSP pipe |
| 2 | 115 | 85 | 1"G | 14 | VEP01 ÷ VEP07 | Ex VE10 | Flange adaptor to 1" BSP pipe |
| 1 | 150 | 110 | 1"1/2 G | 18 | VE50 ÷ VE150 | Ex VE50...150-A1 | Flange adaptor to 1"1/2 BSP pipe |
| Pos. | E | K | F | ØG | Type of breathers | Ex breathers | Note |

Pos. 4 for breathers VEP27-29-37-39
Flange adaptor DN25 to DN40/PN10 (Ex VE30/VE4-EL)



Pos. 5 for breathers VEP01 ÷ VEP07
Flange adaptor to DN25/PN6 (Ex VE10)



Ex PAG.5.50.C



Titolo
Special flange adaptor
for breathers

30/09/11
Scala ==
Dis.
Visto

Dis. Nr
3538

1