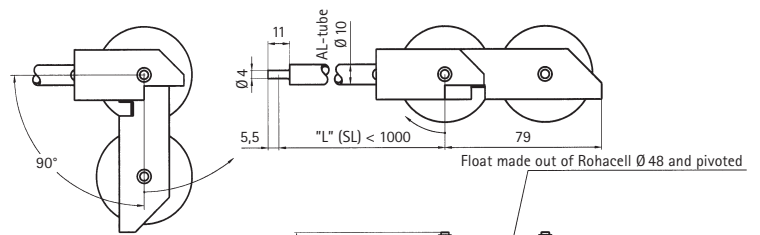
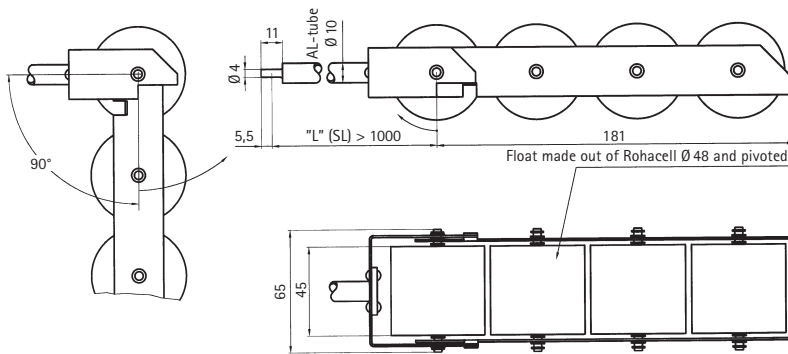


Float design (Option 2, 3 und 4)

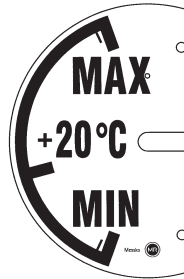
2 float rollers (≤ 1000 mm)



4 float rollers (> 1000 mm)



Dial lettering



Lettering

Standard or

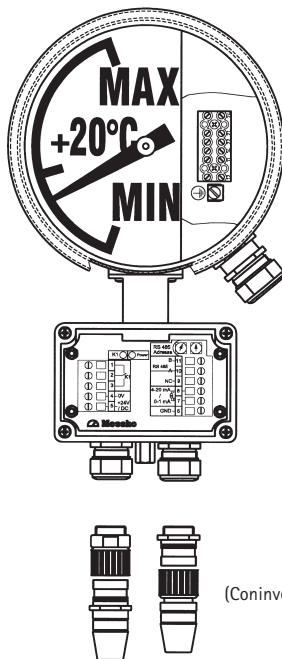
Special

Max. _____

+ 20°C _____ °C

Min. _____

Option: Analog output



(Conivers connector optional)

Output signal:

- 0 ... 1 mA
- 0 ... 20 mA
- 4 ... 20 mA (error signal < 3,6 mA)
- 4 ... 20 mA (error signal > 22 mA)

additional:

- Output RS485 standard protocol
- Output RS485 customized protocol (please advise)

Micro switch K1:

- Switch point Standard at 20°C marking
- NO falling
 - NC rising
 - NO rising
 - NC falling
- Switch points (please advise)

Connection:

- Standard cable gland
2 x M20 x 1,5
- Conivers connector, 9-pole