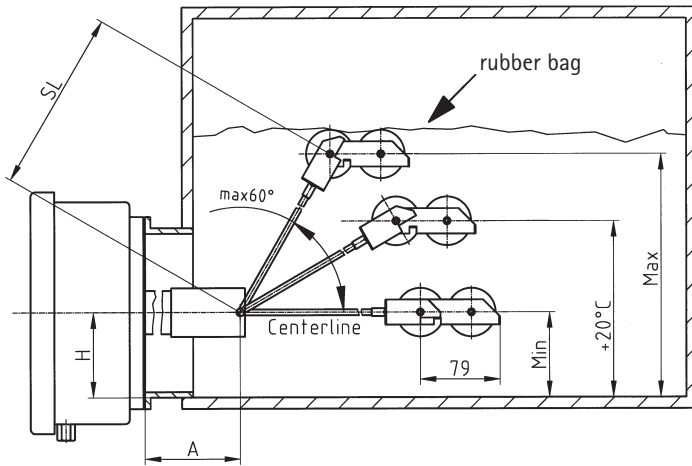
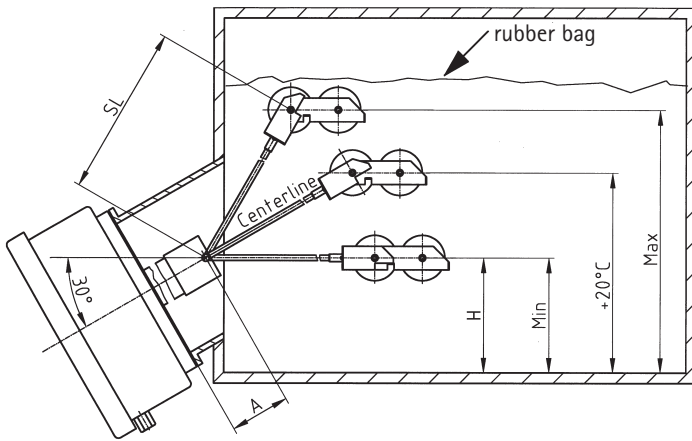


Option 2 with rubber bag



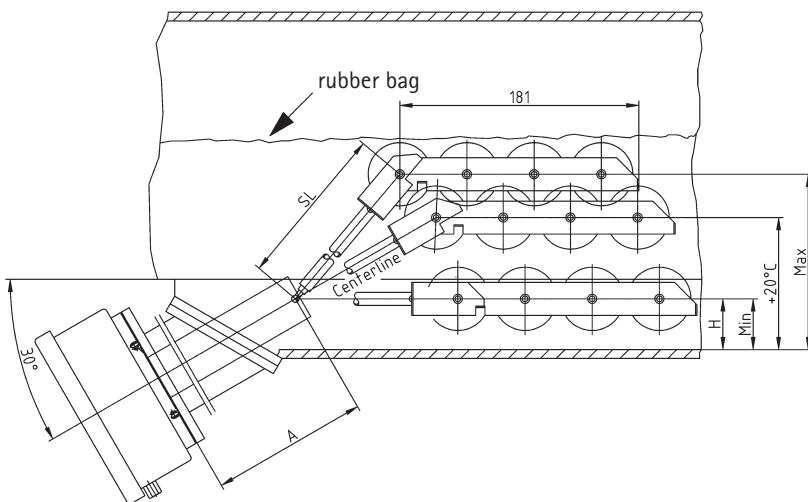
Fill out height dimension values	or degree of angle
MAX _____ mm	_____ °
+ 20° C _____ mm	_____ °
MIN _____ mm	_____ °
H _____ mm	_____ mm
SL _____ mm	_____ mm
A _____ mm	_____ mm

Option 3 with rubber bag



Fill out height dimension values	or degree of angle
MAX _____ mm	_____ °
+ 20° C _____ mm	_____ °
MIN _____ mm	_____ °
H _____ mm	_____ mm
SL _____ mm	_____ mm
A _____ mm	_____ mm

Option 4 with rubber bag



Fill out height dimension values	or degree of angle
MAX _____ mm	_____ °
+ 20° C _____ mm	_____ °
MIN _____ mm	_____ °
H _____ mm	_____ mm
SL _____ mm	_____ mm
A _____ mm	_____ mm

