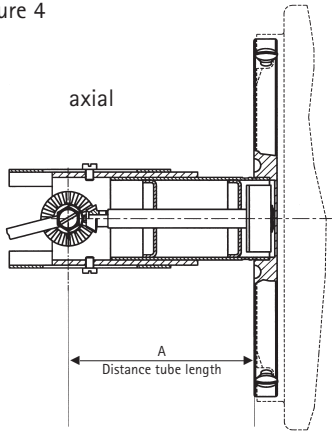


# III. Drive variation (axial)

Figure 4



**Axial**

(choose mounting position depending on the conservator layout).

**Distance tube length A (figure 4)**

69 mm (Standard)

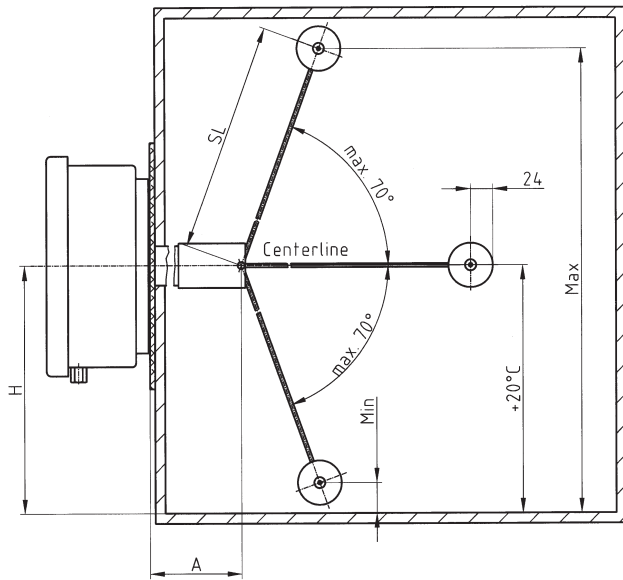
268 mm (Standard)

Special

\_\_\_\_\_ mm

## Mounting position

Option 1 without rubber bag



| Fill out height dimension values | or degree of angle |
|----------------------------------|--------------------|
| MAX _____ mm                     | _____ °            |
| + 20° C _____ mm                 | _____ °            |
| MIN _____ mm                     | _____ °            |
| H _____ mm                       | _____ mm           |
| SL _____ mm                      | _____ mm           |
| A _____ mm                       | _____ mm           |

## Float design (Option 1)

