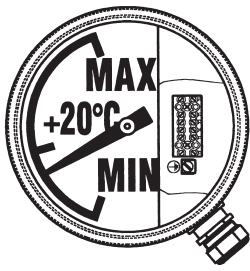


Order-Specification MESSKO® MTO Oil Level Indicator

I. Design



Limit switches

- without switches
 adjustable limit switch 5 A (MTO-ST160) max. 2 pcs.
 fixed limit switch 15 A (MTO-STF160) max. 3 pcs.

Contact load:
 AC: 250 V / 5 A / $\cos\varphi = 1$
 DC: 110 V / 0,6 A (non-inductive)
 DC: 250 V / 0,4 A (non-inductive)

Contact load:
 AC: 250 V / 15 A / $\cos\varphi = 1$
 DC: 12 V / 5 A (non-inductive)
 DC: 250 V / 0,25 A (non-inductive)

Number of switches

- 1 pc. 2 pcs. 3 pcs.

- Switch points Standard 5° near Min. or Max.
 others please advise _____

II. Drive variation (radial)

Figure 1

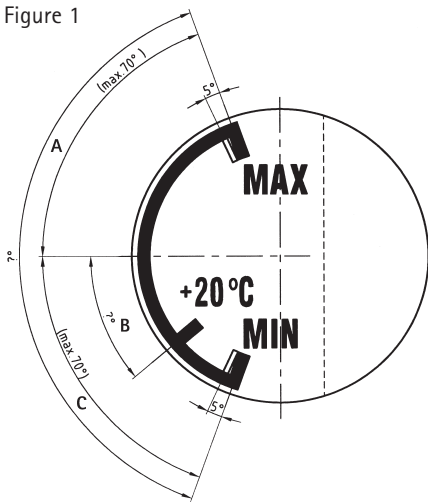
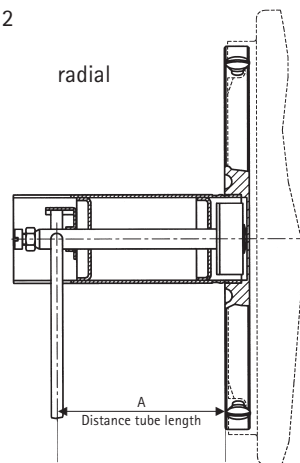


Figure 2



- Radial**
 (fill out, degree of angle acc. figure 1)

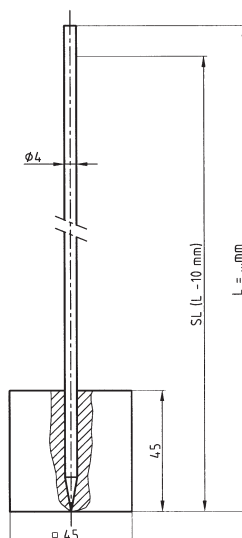
Degree of angle

- Standard or Special
 A = 70° A = _____°
 B = 15° B = _____°
 C = 70° C = _____°

Dial lettering

- Standard or Special
 Max. _____
 + 20° C _____° C
 Min. _____

Figure 3



Distance tube length A (figure 2)

- Standard 59 mm Standard 100 mm
 others please advise _____ mm

Float length (figure 3)

- (can be self shortened)
 680 mm (Standard)
 800 mm (Standard)
 others please advise _____

