



**Oil level Gauges Series IL - Order Form**

**Fill out one order form for every type of level gauge**

Customer	Order N°	Work order N°	Customer Dwg. N°	N° pieces

**1 Instrument type - Cross instrument type**

IL 140	IL 220	IL 320
--------	--------	--------

**2 Conservator layout - Cross conservator layout and fill out requested data**

**2.1 Layout to drawing N° 11/T**

Level gauges with transversal float arm

T1	T2	T3	D	E

**2.2 Layout to drawing N° 11/L1-2-3**

Level gauges with longitudinal float arm, conservator without airbag

L1	L2	L3	D	A	B

**2.3 Layout to drawings N° 11/A1 - 11/A2 - 11/A3-A4 - 11/A5 - 11/A6**

Level gauges with longitudinal float arm, conservator with airbag

A1	A2	A3	A4	A5	A6	D	A	B	alfa α

**3 Wiring diagram and cable entry**

Write name of wiring diagram choosing from specification N° 11SCHxx

Standard cable entry is 3/4" G - Specify different dimension if needed

Brass cable gland - Cross choice

YES	NO
-----	----

**4 Marks on dial and oil levels**

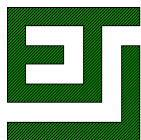
Write marks requested on dial and at least 2 corresponding oil levels.

<b>Mark</b>							
<b>Oil Level</b>							

**5 Notes:**

Conservators are presumed cylindrical; for rectangular conservators indicate base and height; for other shapes supply drawing. For installation with longitudinal float arm conservator length or dimensions B for layout type A2 is presumed not less than conservator diameter D + 200 mm.

**Hmin - Hmax = Oil level at minimum - maximum temperature; HR = Oil level at filling temperature**



Specification N° :

Product :

Page N° :

**11ILSCHR06-E****Oil level gauges Series IL****2 of 3**

Title :

Revision N° :

**Performance and description of contacts and wiring diagrams****06 – 02/2014**

### 3.0 Tables of function and performance of wiring diagrams

The most commonly used wiring diagrams are described in detail in the following tables; the following notes describe the acronyms.

**NE** = Normal exercise; oil level in conservator is higher than minimum and lower than maximum

**N° Term.** = Numbers that identify the terminals

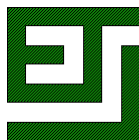
**N° WD** = Wiring diagram number

**Pos. in NE** = State of the contact in normal exercise.

**NO** = normally open; **NC** = normally closed; **CO** = changeover

#### 3.1 Table

N° WD	N° Term.	Pos. in NE	Functional description of wiring diagram
<b>11-000</b>			Without contacts, only optical indication
<b>11-101</b>	1-2	Open	1 NO contact for minimum level, closes when level drops to minimum
<b>11-102</b>	1-2	Open	1 NO contact for maximum level, closes when level rises to maximum
<b>11-111</b>	1-2	Closed	1 NC contact for minimum level, opens when level drops to minimum
<b>11-131</b>	1-2	Open	1 CO contact for minimum level, switches when level drops to minimum
	1-3	Closed	
<b>11-291</b>	1-2/4-5	Open	2 CO contacts for minimum level, switch when level drops to minimum
	1-3/4-6	Closed	
<b>11-293</b>	1-2	Open	1 CO contact for minimum level, switches when level drops to minimum
	1-3	Closed	
	4-5	Open	1 CO contact for maximum level, switches when level rises to maximum
	4-6	Closed	
<b>11-294</b>	1-2	Open	1 CO contact for low level, switches when level drops to low - alarm function
	1-3	Closed	
	4-5	Open	1 CO contact for minimum level, switches when level drops to minimum - trip function
	4-6	Closed	
<b>11-394</b>	1-2	Open	1 CO contact for low level, switches when level drops to low - alarm function
	1-3	Closed	
	4-5/7-8	Open	2 CO contact for minimum level, switch when level drops to minimum - trip function
	4-6/7-9	Closed	
<b>11-395</b>	1-2/4-5	Open	2 CO contacts for minimum level, switch when level drops to minimum
	1-3/4-6	Closed	
	7-8	Open	1 CO contact for maximum level, switches when level rises to maximum
	7-9	Closed	
<b>11-395-S</b>	1-2	Open	1 CO contact for minimum level, switch when level drops to minimum – trip function
	1-3	Closed	
	4-5	Open	1 CO contact for low level, switch when level drops to low – alarm function
	4-6	Closed	
	7-8	Open	1 CO contact for maximum level, switches when level rises to maximum – alarm function
	7-9	Closed	



**ETI-Elettrindustria srl**

EQUIPAGGIAMENTO TRASFORMATORI ITALIA

T: +39 0245475074 | F: +39 0245475787

E-mail: cobETI@eti-elettrindustria.it

Website: www.eti-elettrindustria.it

Specification N° :

Product :

Page N° :

**11ILSCHR06-E**

**Oil level gauges Series IL**

**3 of 3**

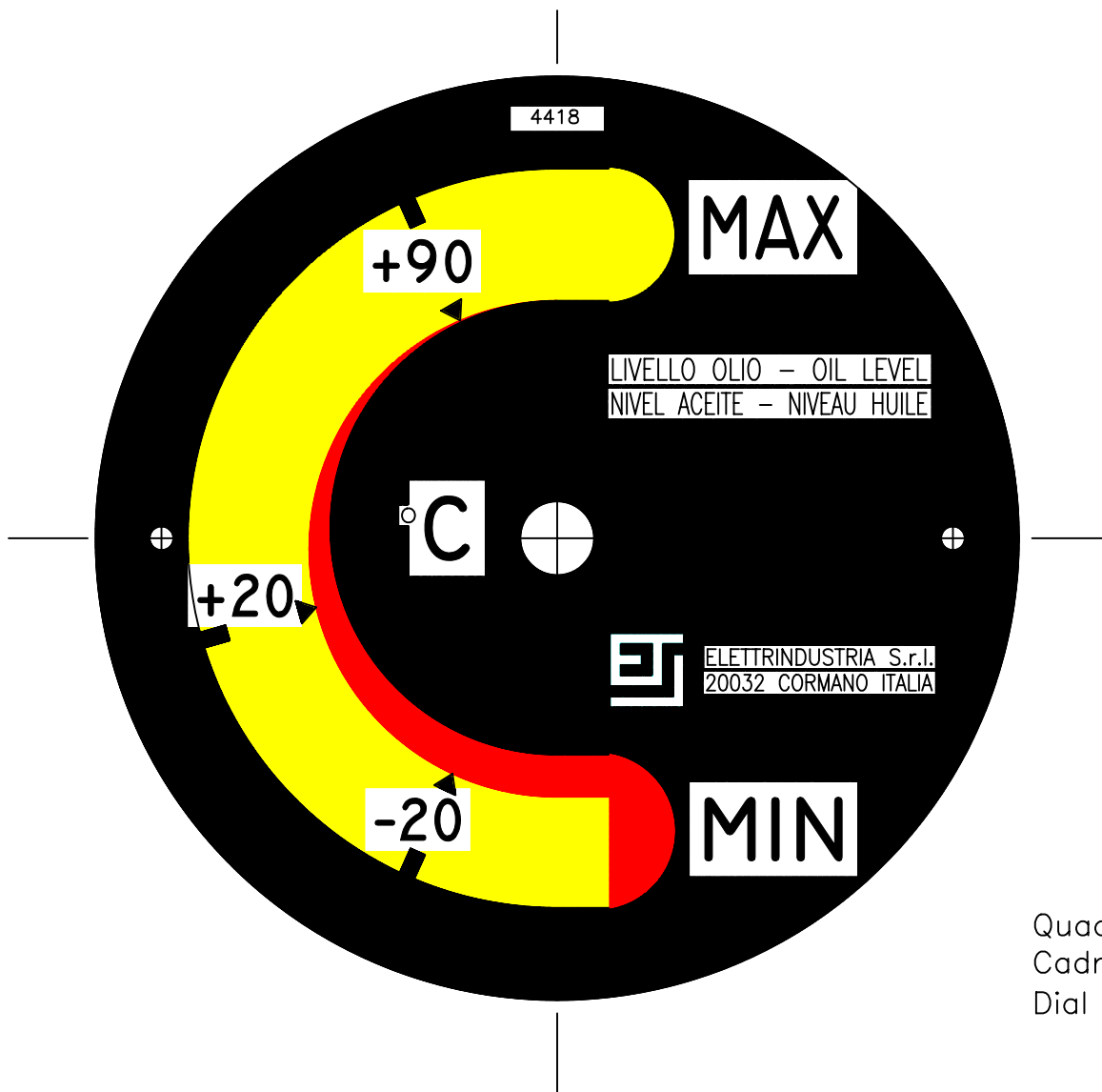
Title :

Revision N° :

**Performance and description of contacts and wiring diagrams**

**06 – 02/2014**

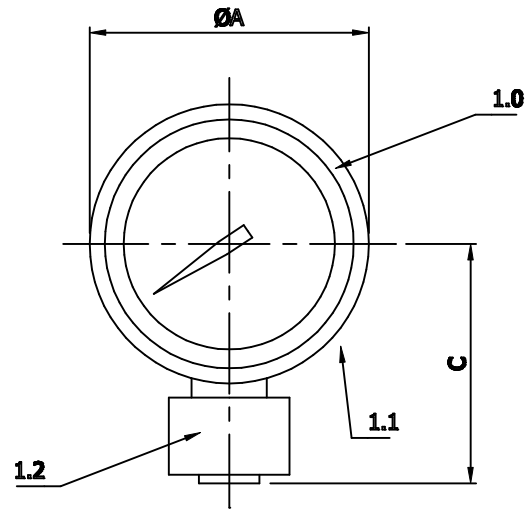
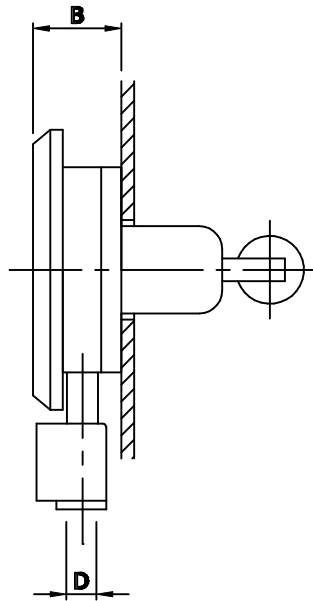
N° WD	N° Term.	Pos. in NE	Functional description of wiring diagram
<b>11-404</b>	1-2/3-4	Open	2 NO contacts for low level, close when level drops to low - alarm function
	5-6/7-8	Open	2 NO contacts for minimum level, close when level drops to minimum - trip function
<b>11-405</b>	1-2/3-4	Open	2 NO contacts for minimum level, close when level drops to minimum
	5-6/7-8	Open	2 NO contacts for maximum level, close when level rises to maximum
<b>11-406</b>	1-2	Open	1 normally open contact for min level, close when level drops to min - trip function
	3-4	Open	1 normally open contact for low level, close when level drops to low - alarm function
	5-6	Open	1 normally open contact for high level, close when level rises to high - alarm function
	7-8	Open	1 normally open contact for max level, close when level rises to max - trip function



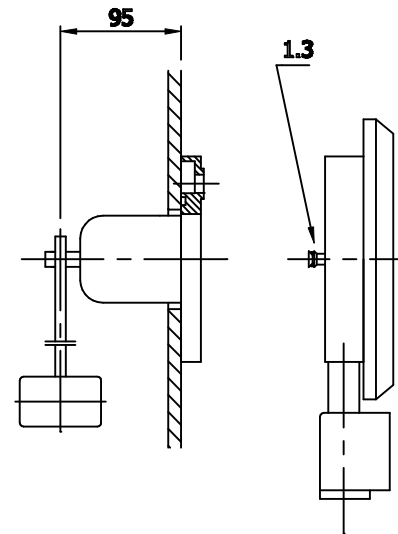
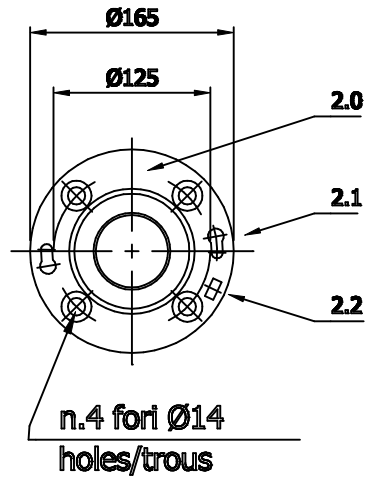
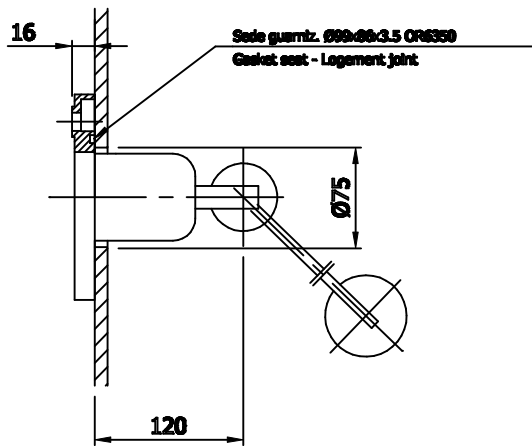
Quadrante fondo NERO , scritte GIALLO  
 Cadran fond NOIR , inscriptions JAUNE  
 Dial bottom BLACK , inscriptions YELLOW

N.rev	Nota sulla revisione	Data	Signature	Controllo
-------	----------------------	------	-----------	-----------

Rif.	Quantità	Titolo/Nome, designazione, materiale, dimensione, etc.			N. articolo/ritrimento	
Progettato da	Controllato da	Approvato da - data	Nome file	Data	01-01-97	Scala
 <b>ETI ELETTRINDUSTRIA S.r.l.</b> <b>20032 CORMANO ITALY</b>				Titolo/Nome INDICATORE DI LIVELLO - OIL LEVEL GAUGE - INDICATEUR DE NIVEAU QUADRANTE - DIAL - CADRAN		
				Numero disegno	11/QUA	Modifica
				Foglio		
Riproduzione vietata			Non misurare le quote dal disegno			

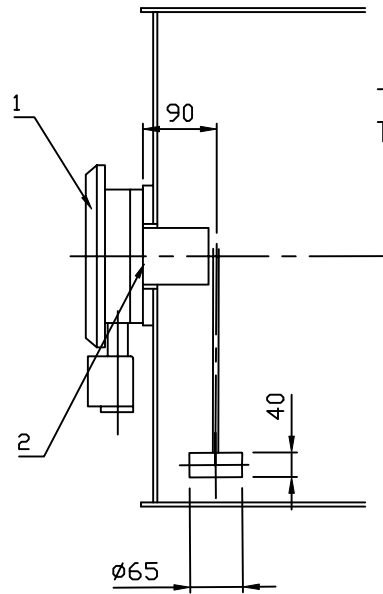


Tipo-Type	A	B	C	D
IL140	160	75	165	a richiesta MIN 1/2" PG13 MAX 3/4" PG21
IL220	225	75	200	
IL320	330	80	255	

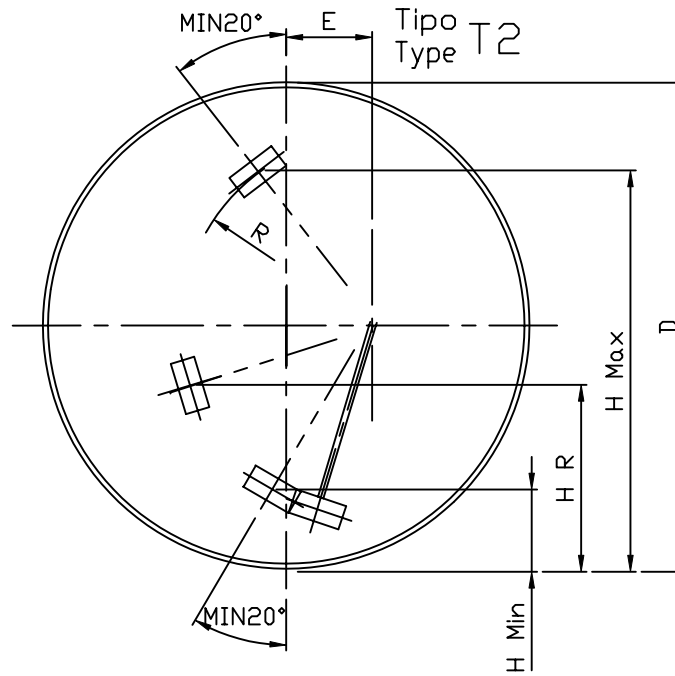


B	Diametro foro $\phi 75$ era $\phi 80$	03/01/08	GL	
A	Quota "B" per pos.1 e 2 era 70 e per pos.3 era 75	12/07/01	GL	
N.rev	Nota sulla revisione	Data	Signatura	Controllo

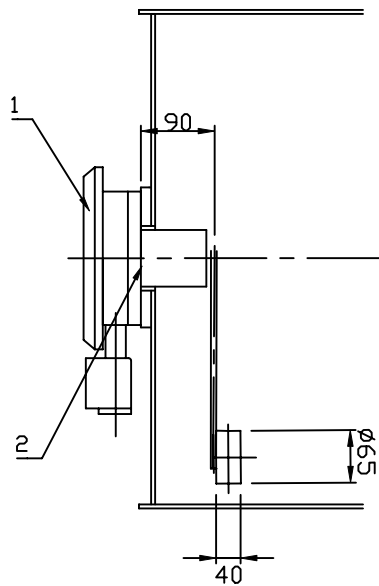
Rif.	Quantità	Titolo/Nome, designazione, materiale, dimensioni, etc.			N. articolo/Riferimento	
Progettato da	Controllato da	Approvato da - data	Nome file	Data	01-01-97	Scala //
<b>ETI ELETTRINDUSTRIA S.p.A.</b> <b>20032 CORMANO ITALY</b>				Titolo/Nome <b>INDICATORE DI LIVELLO - OIL LEVEL GAUGE - INDICATEUR DE NIVEAU</b> Serie: <b>IL</b>		
Numero disegno				Modifica	Foglio	
11/DIM				B		
Riproduzione vietata		Non misurare le quote dal disegno				



Tipo T1 - T2  
Type T1 - T2



Tipo T2  
Type T2



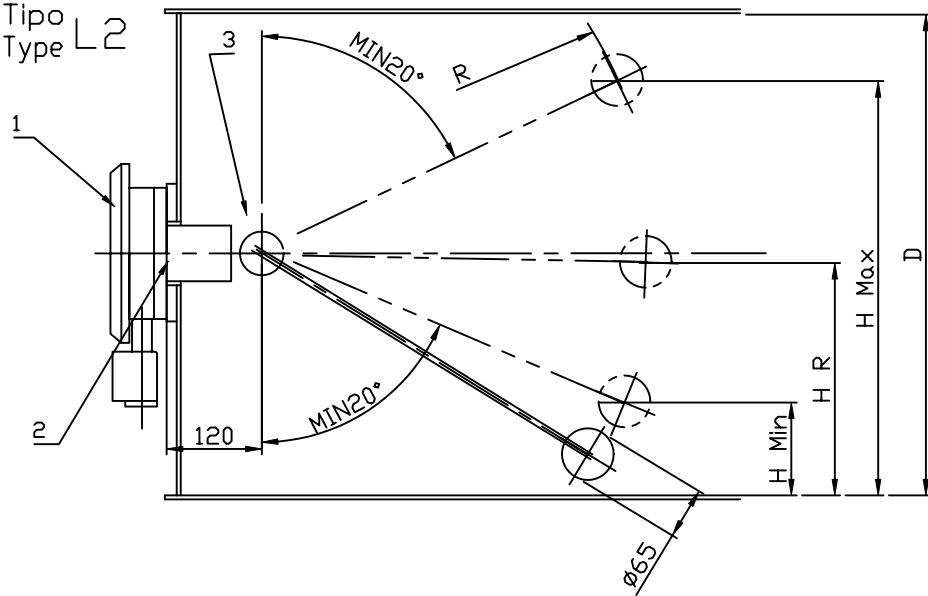
Tipo T3  
Type T3

Tipo T1 - E = 0  
Type T1 - E = 0

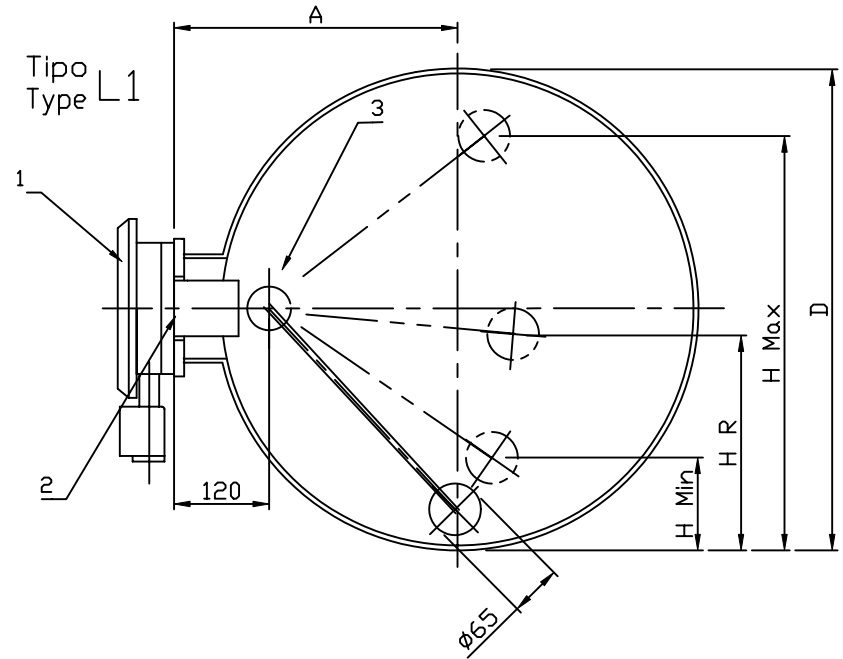
N.rev	Nota sulla revisione	Data	Signatura	Controllo
-------	----------------------	------	-----------	-----------

Rif.	Quantità	Titolo/Nome, designazione, materiale, dimensione, etc.			N. articolo/Riferimento	
Progettato da	Controllato da	Approvato da - data	Nome file	Data	Scala	
 <b>ETI ELETTRINDUSTRIA Srl</b> 20032 CORMANO ITALY			Titolo/Nome <b>INDICATORE DI LIVELLO - OIL LEVEL GAUGE - INDICATEUR DE NIVEAU</b> Serie: IL-T1-I1-97			
Numero disegno			11/T		Modifica	Foglio
Riproduzione vietata Non misurare le quote dal disegno						

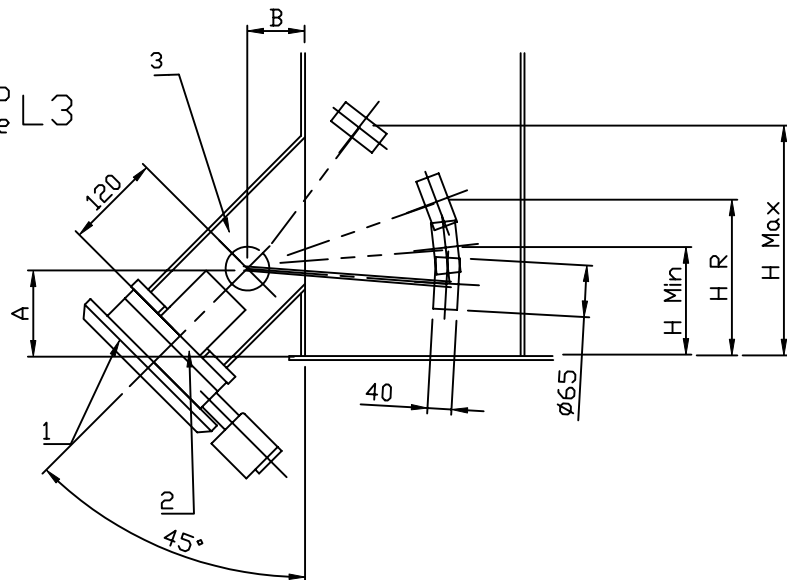
Tipo L2  
Type L2



Tipo L1  
Type L1

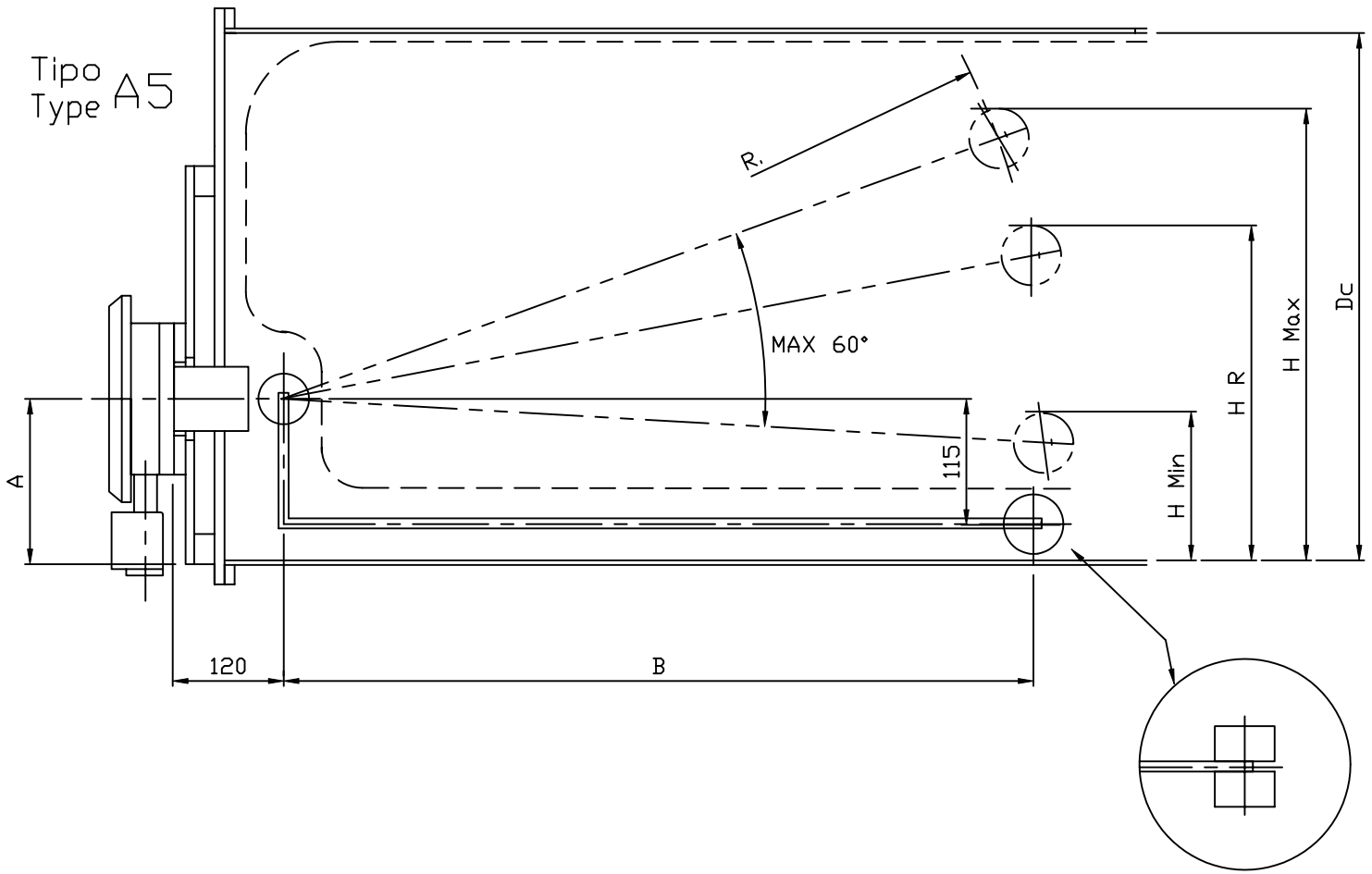


Tipo L3  
Type L3



B	Aggiunto angolo 45° su tipo L3	09/05/01	GL	
N.rev	Nota sulla revisione	Data	Signatura	Controllo

Rif.	Quantità	Titolo/Nome, designazione, materiale, dimensione, etc.			N. articolo/Riferimento	
Progettato da	Controllato da	Approvato da - data	Nome file	Data	01-01-97	Scala //
 <b>ETI ELETTRINDUSTRIA S.p.A.</b> 20032 CORMANO ITALY				Titolo/Nome <b>INDICATORE DI LIVELLO - OIL LEVEL GAUGE - INDICATEUR DE NIVEAU</b> Serie: IL- L1-L2-L3		
				Numero disegno	Modific	Foglio
11/L1-2-3		B				
Riproduzione vietata Non misurare le quote dal disegno						



Rif.	Quantità	Titolo/Nome, designazione, materiale, dimensione, etc.			N. articolo/Riferimento	
Progettato da	Controllato da	Approvato da - data	Nome file	Data	Scala	
				01-01-97	//	
 <b>ETI ELETTRINDUSTRIA Srl</b> <b>20032 CORMANO ITALY</b>			Titolo/Nome INDICATORI DI LIVELLO - OIL LEVEL GAUGE - INDICATEUR DE NIVEAU Serie: IL-A5			
			Numero disegno	Modifica	Foglio	
11/A5		A				
Riproduzione vietata Non misurate le quote dal disegno						

N.rev	Nota sulla revisione	Data	Signatura	Controllo
-------	----------------------	------	-----------	-----------