

**ETI-Elettrindustria srl**

EQUIPAGGIAMENTO TRASFORMATORI ITALIA  
T: +39 0245475074 | F: +39 0245475787  
E-mail: [cobETI@eti-elettrindustria.it](mailto:cobETI@eti-elettrindustria.it)  
Website: [www.eti-elettrindustria.it](http://www.eti-elettrindustria.it)

# Oil level gauges Series IL

## 1 General Information

It is necessary to measure the level reached by the oil in a transformer conservator in order to:

- check that the transformer has been filled with the correct quantity of oil when prepared for use;
- make sure that no oil spills occur during normal operation due to excessive filling or overheating;
- indicate that there is insufficient oil before the Buccholz relay trips so that the upper part of the windings do not remain uncovered.

ETI series IL level gauges have been designed to carry out these tasks.

## 2 Special Features

The ETI series IL level gauges are of the magnetic transmission type, specially designed for use on electric transformers; besides carrying out the above tasks, they are particularly user-friendly thanks to following special features:

### One-flange design

ETI series IL level gauges, though different in dial dimension, assembly layout and float arm disposition are all mounted on the conservator with the same flange, thus making standardisation easy.

### Two-parts construction

ETI series IL level gauges have the dial part separated from the mounting flange. The mounting flange may in fact remain fitted to the conservator both during transformer installation and during painting and transportation. There is no need to mount a blank flange and no risk of accidentally damaging the instrument gauge.

### Adjustable to any conservator design

ETI series IL level gauges are suitable for fitting to any type of conservator layout, shape and size, thus satisfying all manufacturer's requirements.

### Supplied ready for installation

If all necessary parameters are indicated in order, ETI series IL level gauges are supplied ready for installation on the conservator, without having to shorten the float arm or set the contacts.

### Absolute oil-tightness

The mounting flange seals the conservator perfectly.

### Optical and electrical oil level indication

ETI series IL level gauges show the oil level inside the conservator optically, by a pointer travelling on a graduated scale; minimum and/or maximum level or other oil levels, which are particularly important for the transformer operation, can be shown also by an electric contact.

### Unsinkable float

The oil level inside the conservator is detected by a float made of closed-cell material which is resistant to mineral oil, vacuum and a pressure of up to 3 bars; in this way, the risk of it filling with oil and sinking, which is always present with hollow floats, is excluded.

## 3 Construction Characteristics

ETI series IL level gauges consist of two independent parts (see drawing N° 11/DIM):

### Mounting flange 2.0

The mounting flange 2.0 is made of cast aluminium and tested during production for tightness. It is mounted on the conservator by four M12 screws or studs; an O-Ring gasket seals the conservator.

The flange 2.0 includes one magnet of the magnetic transmission and the float arm. When the float



arm is of the longitudinal type, a generously dimensioned precision bevel gear pair transmits the movement of the float arm to the magnetic transmission.

### Instrument gauge 1.0

The instrument gauge 1.0 is also made of cast in aluminium alloy. It is assembled to the flange 2.0 by the two pins 1.3, which mate the two slots 2.1 on the flange 2.0; the lateral locking screw 1.1 screwed into the expansion 2.2 fixes the instrument 1.0 to the flange 2.0.

The instrument gauge 1.0 is manufactured in three sizes; it includes the second magnet of the magnetic transmission and the optical and electrical indication. A tempered glass disc protects the dial and pointer.

A terminal box 1.2 is mounted on the instrument gauge through which the connections for the electrical indication are made.

### 3.1 Operating conditions

ETI series IL level gauges are suitable for use in following environmental conditions:

- Ambient temperature from -20°C to +40°C
- Oil temperature from -20°C to +120°C
- For use with mineral oil
- Degree of protection of the instrument IP 55
- resistance to vibrations up to 3 g on all axes
- resistance to shock up to 10 g on all axes

Special executions are available for other conditions.

### 3.2 Finish

In standard execution, one coat of two-pack epoxy primer and one coat of two-pack polyurethane paint protect all cast parts; final colour RAL 7031; screws and washer are in stainless steel.

## 4 Wiring Diagrams and Contact Performance

### 4.1 Wiring Diagrams

As mentioned above, ETI series IL level gauges can be supplied with electric contacts, set out according to one of the wiring diagrams shown in the specification N° 11SCHRxx, which indicates also the numbering of the terminals.

### 4.2 Contacts performance

Specification N° 11SCHxx shows also the performance of the contacts; special contacts for electronic circuits having low current (1 to 100 mA) and voltage (4 to 10 V) can also be supplied.

## 5 Assembly and maintenance instructions

ETI series IL level gauges are supplied already set according to customer indication and therefore need only to be mounted on the conservator.

### 5.1 Assembly

In order to assemble the gauge on the conservator proceed as follows:

- completely unscrew fixing screw 1.1;
- while holding the gauge by flange 2.0, turn instrument 1.0 anticlockwise about 5° in order to disconnect pins 1.3 from slots 2.1 and separate assembly flange 2.0 from instrument 1.0;
- check that the O-Ring gasket is in its seat, then fit flange 2.0 complete with float rod to the conservator, and fasten it using the four 14 mm holes;
- insert pins 1.3 into slots 2.1 again and turn instrument 1.0 clockwise about 5°; the magnetic transmission with two magnets makes sure that the alignment of the float rod, arrow and the contacts is correct;



- tighten fixing screw 1.1 completely.

To connect the electrical contacts proceed as follows:

- remove the cover of terminal box 1.2;
- feed the connection cable in through the cable entry and connect the wires to the terminals inside terminal box 1.2 according to the chosen wiring diagram; connect the earth cable to the earth screw inside the terminal box;
- replace the lid of terminal box 1.2.

## 5.2 Maintenance

No routine maintenance operations are necessary for the ETI series IL level gauges.

## 6 Instructions for ordering

As already said, ETI series IL level gauges are supplied ready for assembly on the conservator. In order to set the level gauge correctly following data are needed and must be indicated in order:

- Instrument type: IL 140, IL 220 or IL 320;
- layout of installation on the conservator according to one of the reference drawings, as well as the dimensions required for each layout;
- wiring diagram according to specifications N° 11SCHRxx;
- cable entry thread with/without standard cable gland
- dial indication.

**To set the instrument correctly we need furthermore at least two oil levels and the oil temperatures at these two oil levels.**

**Use the enclosed order form and fill it out completely to define the level gauge required.**

### Please note:

Conservators are presumed to be cylindrical; for rectangular conservators, show the base and height. For installation with longitudinal float arm, the length of the conservator or dimension B for conservator layout type A2 are considered to be not less than the conservator diameter.



Specification N° :

Product :

Page N° :

**11ILSCHR04-E****Oil level gauges Series IL****1 of 2**

Title :

Revision N° :

**Performance and description of contacts and wiring diagrams****04 – 08/2009**

## 1.0 Performance and description of the wiring diagrams

The specification has a complete description of performance and function of the wiring diagrams.

## 2.0 Wiring diagrams

### 2.1 Identification by numbering of the wiring diagrams

The identification numbering of the wiring diagrams follows criteria that allow to identify the type of contact and the operation of the wiring diagram from it's number.

#### 2.1.1 Key to numbering of wiring diagrams

The following numbering system applies to wiring diagrams with standard contacts; wiring diagrams with low current contacts are considered special and have a separate numbering.

**11-xxx** = Wiring diagram for oil level gauges;

**11-Xxx** = Total number of contacts:

**1, 2, 3 and 4** = 1, 2, 3 or 4 contacts

**11-xXx** = Contact Type

**0** = Normally open; **1** = Normally closed; **3 or 9** = Changeover

**11-xxX** = Contacts position:

**1** = Contact/s on minimum level; **2** = Contact/s on maximum level;

**3** = One contact on minimum + one contact on maximum level;

**4 to 9** = Other positions

### 2.2 Table of Contact's Performance

#### 2.2.1 Standard Contact (ST)

Changeover microswitch contact worked mechanically

- Degree of protection IP 67
- Casing Polyester
- Gasket Fluorosilicone
- Lever and push button Stainless steel
- Contact's material Silver, nickel coated
- Mechanical endurance of contact  $1 \times 10^7$  cycles
- Temperature range -40°C to +125°C
- Standard power of interruption ( $1 \times 10^5$  cycles) AC 250V/5A - DC 125V/1A
- Maximum power of interruption (1.000 cycles) DC 125V/1,5A
- Isolation to mass at 20°C 2.500 V
- Isolation of open contact at 20°C 1.500 V
- Minimum and maximum current 0,1 - 10A

#### 2.2.2 Low Current Contact (BC)

BC contacts are used only on request and have the same performance as standard contact except:

- Contact's material Gold
- Operation range 1 to 100 mA - 4 to 30 V

#### 2.2.3 Electric circuitry

- Degree of protection of instrument casing IP 55
- Insulation to mass at 20° C 2.500 V
- Material of terminal board tin coated brass



Specification N° :

Product :

Page N° :

**11ILSCHR04-E****Oil level gauges Series IL****2 of 2**

Title :

Revision N° :

**Performance and description of contacts and wiring diagrams****04 – 08/2009**

### 3.0 Tables of function and performance of wiring diagrams

The most commonly used wiring diagrams are described in detail in the following tables; the following notes describe the acronyms.

**NE** = Normal exercise; oil level in conservator is higher than minimum and lower than maximum

**N° Term.** = Numbers that identify the terminals

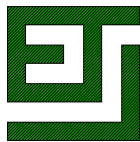
**N° WD** = Wiring diagram number

**Pos. in NE** = State of the contact in normal exercise.

**NO** = normally open; **NC** = normally closed; **CO** = changeover

#### 3.1 Table

N° WD	N° Term.	Pos. in NE	Functional description of wiring diagram
<b>11-000</b>			Without contacts, only optical indication
<b>11-101</b>	1-2	Open	1 NO contact for minimum level, closes when level drops to minimum
<b>11-102</b>	1-2	Open	1 NO contact for maximum level, closes when level rises to maximum
<b>11-111</b>	1-2	Closed	1 NC contact for minimum level, opens when level drops to minimum
<b>11-131</b>	1-2	Open	1 CO contact for minimum level, switches when level drops to minimum
	1-3	Closed	
<b>11-291</b>	1-2/4-5	Open	2 CO contacts for minimum level, switch when level drops to minimum
	1-3/4-6	Closed	
<b>11-293</b>	1-2	Open	1 CO contact for minimum level, switches when level drops to minimum
	1-3	Closed	
	4-5	Open	1 CO contact for maximum level, switches when level rises to maximum
	4-6	Closed	
<b>11-294</b>	1-2	Open	1 CO contact for low level, switches when level drops to low - alarm function
	1-3	Closed	
	4-5	Open	1 CO contact for minimum level, switches when level drops to minimum - trip function
	4-6	Closed	
<b>11-394</b>	1-2	Open	1 CO contact for low level, switches when level drops to low - alarm function
	1-3	Closed	
	4-5/7-8	Open	2 CO contact for minimum level, switch when level drops to minimum - trip function
	4-6/7-9	Closed	
<b>11-395</b>	1-2/4-5	Open	2 CO contacts for minimum level, switch when level drops to minimum
	1-3/4-6	Closed	
	7-8	Open	1 CO contact for maximum level, switches when level rises to maximum
	7-9	Closed	
<b>11-404</b>	1-2/3-4	Open	2 NO contacts for low level, close when level drops to low - alarm function
	5-6/7-8	Open	2 NO contacts for minimum level, close when level drops to minimum - trip function
<b>11-405</b>	1-2/3-4	Open	2 NO contacts for minimum level, close when level drops to minimum
	5-6/7-8	Open	2 NO contacts for maximum level, close when level rises to maximum



**Oil level Gauges Series IL - Order Form**

**Fill out one order form for every type of level gauge**

Customer	Order N°	Work order N°	Customer Dwg. N°	N° pieces

**1 Instrument type - Cross instrument type**

IL 140	IL 220	IL 320
--------	--------	--------

**2 Conservator layout - Cross conservator layout and fill out requested data**

**2.1 Layout to drawing N° 11/T**

Level gauges with transversal float arm

T1	T2	T3	D	E

**2.2 Layout to drawing N° 11/L1-2-3**

Level gauges with longitudinal float arm, conservator without airbag

L1	L2	L3	D	A	B

**2.3 Layout to drawings N° 11/A1 - 11/A2 - 11/A3-A4 - 11/A5 - 11/A6**

Level gauges with longitudinal float arm, conservator with airbag

A1	A2	A3	A4	A5	A6	D	A	B	alfa α

**3 Wiring diagram and cable entry**

Write name of wiring diagram choosing from specification N° 11SCHxx

**Standard cable entry is 3/4" G** - Specify different dimension if needed

**Brass cable gland** - Cross choice

YES	NO
-----	----

**4 Marks on dial and oil levels**

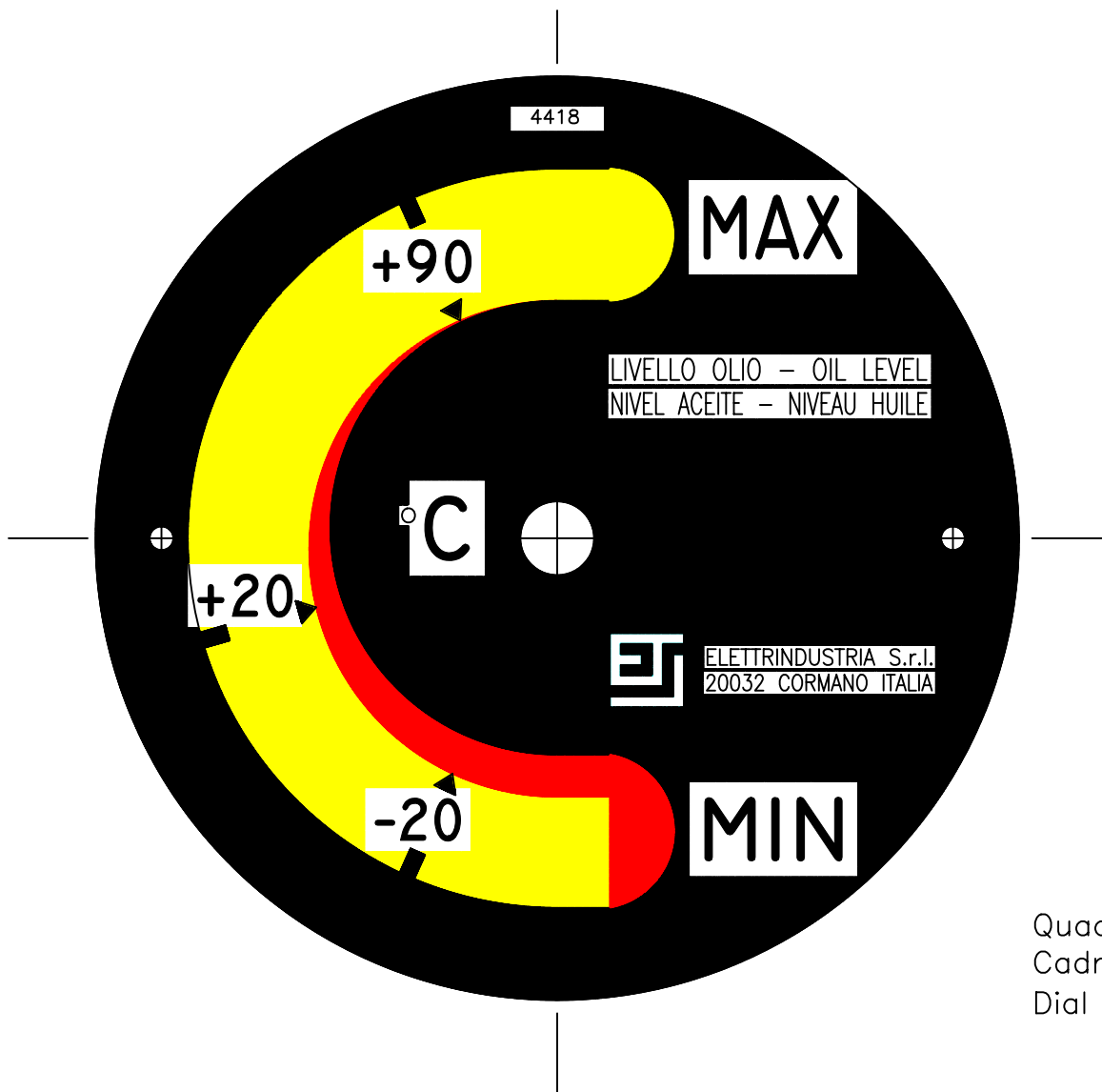
Write marks requested on dial and at least 2 corresponding oil levels.

<b>Mark</b>						
<b>Oil Level</b>						

**5 Notes:**

Conservators are presumed cylindrical; for rectangular conservators indicate base and height; for other shapes supply drawing. For installation with longitudinal float arm conservator length or dimensions B for layout type A2 is presumed not less than conservator diameter D + 200 mm.

**Hmin - Hmax = Oil level at minimum - maximum temperature; HR = Oil level at filling temperature**

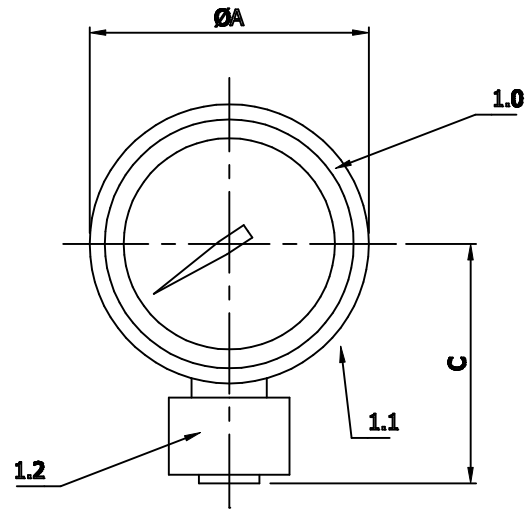
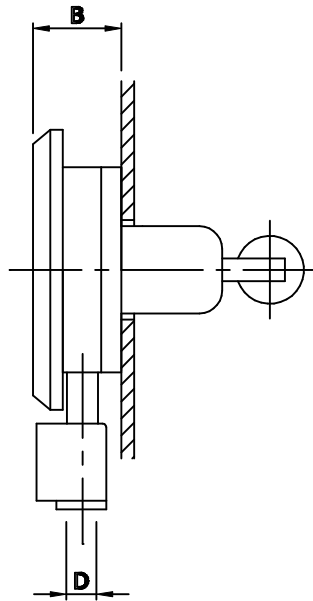


Quadrante fondo NERO , scritte GIALLO  
 Cadran fond NOIR , inscriptions JAUNE  
 Dial bottom BLACK , inscriptions YELLOW

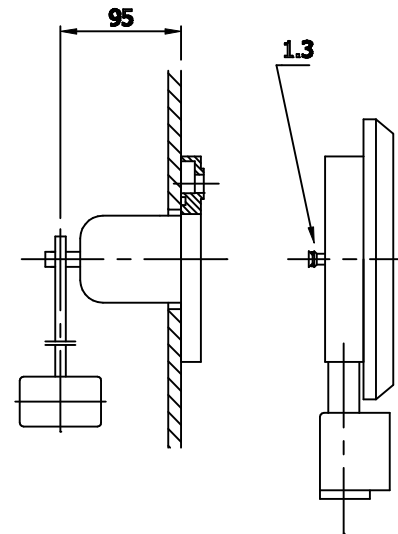
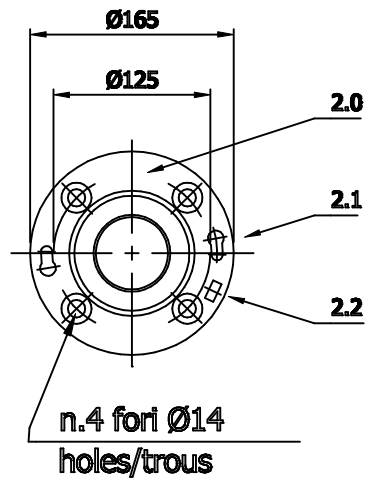
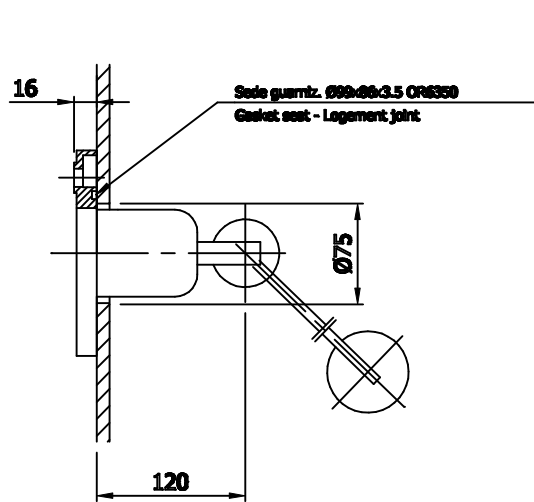
N.rev	Nota sulla revisione	Data	Signature	Controllo
-------	----------------------	------	-----------	-----------

Rif.	Quantità	Titolo/Nome, designazione, materiale, dimensione, etc.			N. articolo/ritrimento	
Progettato da	Controllato da	Approvato da - data	Nome file	Data	01-01-97	Scala
 <b>ETI ELETTRINDUSTRIA S.r.l.</b> <b>20032 CORMANO ITALY</b>				Titolo/Nome INDICATORE DI LIVELLO - OIL LEVEL GAUGE - INDICATEUR DE NIVEAU QUADRANTE - DIAL - CADRAN		
				Numero disegno	11/QUA	Modifica
				Foglio		
Riproduzione vietata				Non misurare le quote dal disegno		



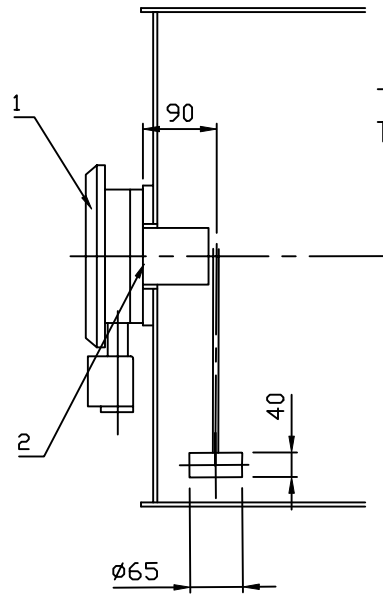


Tipo-Type	A	B	C	D
IL140	160	75	165	a richiesta MIN 1/2" PG13 MAX 3/4" PG21
IL220	225	75	200	
IL320	330	80	255	

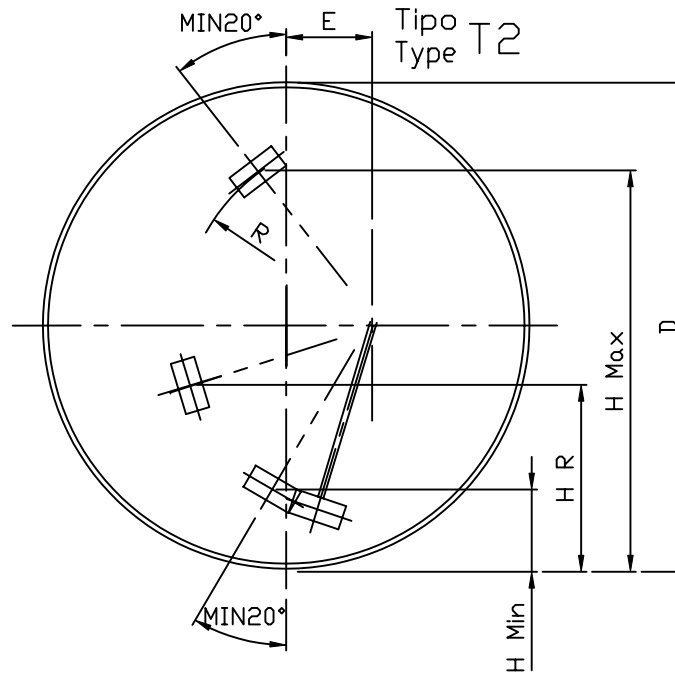


B	Diametro foro Ø75 era Ø80	03/01/08	GL	
A	Quota "B" per pos.1 e 2 era 70 e per pos.3 era 75	12/07/01	GL	
N.rev	Nota sulla revisione	Data	Signatura	Controllo

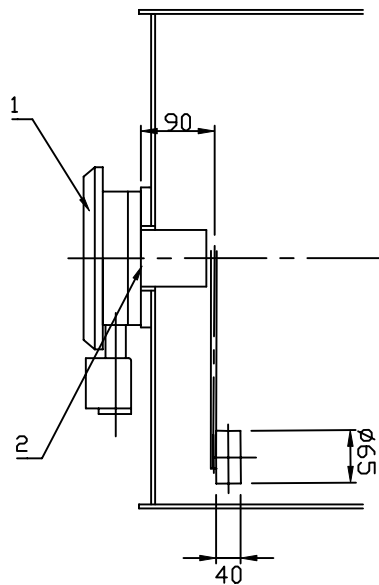
Rif.	Quantità	Titolo/Nome, designazione, materiale, dimensioni, etc.			N. articolo/Riferimento	
Progettato da	Controllato da	Approvato da - data	Nome file	Data	01-01-97	Scala //
<b>ETI ELETTRINDUSTRIA S.p.A.</b> 20032 CORMANO ITALY				Titolo/Nome <b>INDICATORE DI LIVELLO - OIL LEVEL GAUGE - INDICATEUR DE NIVEAU</b> Serie: <b>IL</b>		
				Numero disegno	Modifica	Foglio
Riproduzione vietata Non misurare le quote dal disegno						



Tipo T1 - T2  
Type T1 - T2



Tipo T2  
Type T2



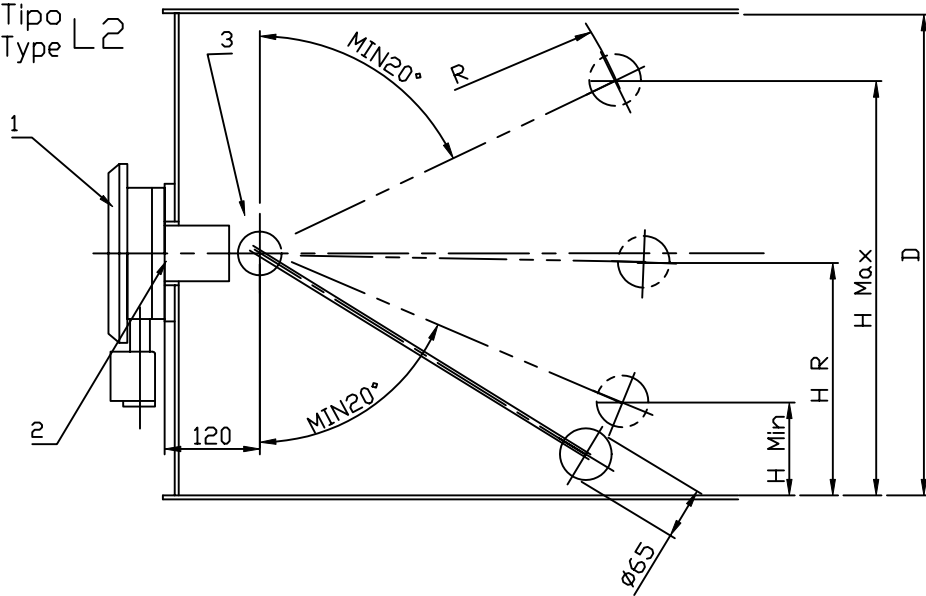
Tipo T3  
Type T3

Tipo T1 - E = 0  
Type T1 - E = 0

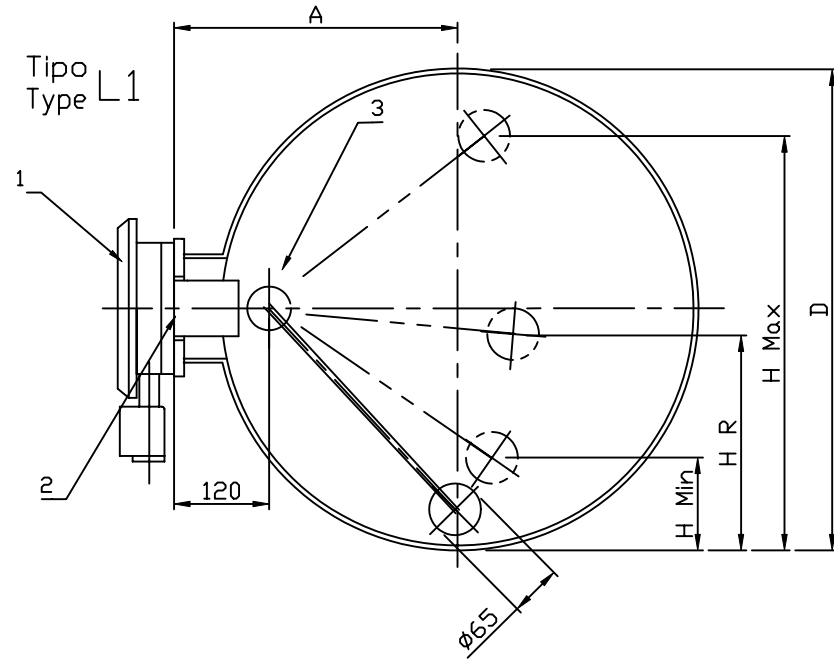
N.rev	Nota sulla revisione	Data	Signatura	Controllo
-------	----------------------	------	-----------	-----------

Rif.	Quantità	Titolo/Nome, designazione, materiale, dimensione, etc.			N. articolo/Riferimento	
Progettato da	Controllato da	Approvato da - data	Nome file	Data	Scala	
 <b>ETI ELETTRINDUSTRIA Srl</b> 20032 CORMANO ITALY			Titolo/Nome <b>INDICATORE DI LIVELLO - OIL LEVEL GAUGE - INDICATEUR DE NIVEAU</b> Serie: IL-T1-T1-97			
Numero disegno			11/T		Modifica	Foglio
Riproduzione vietata Non misurare le quote dal disegno						

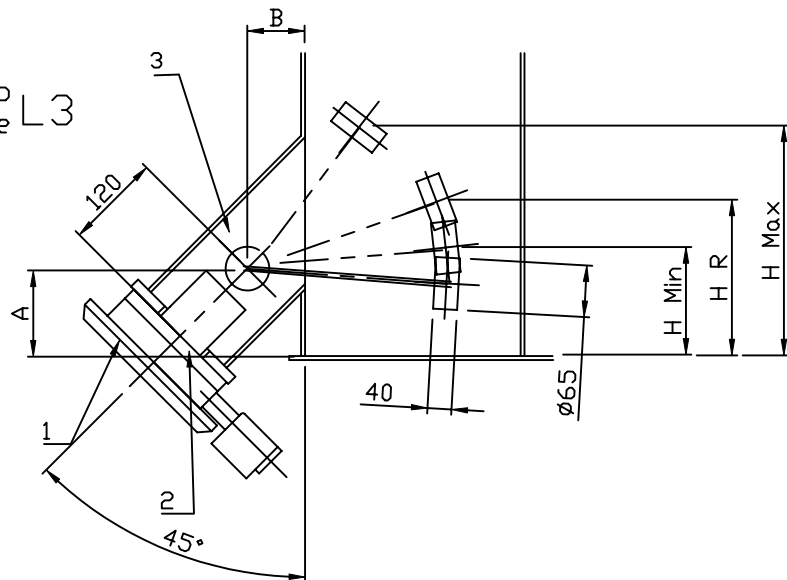
Tipo L2  
Type L2




Tipo L1  
Type L1

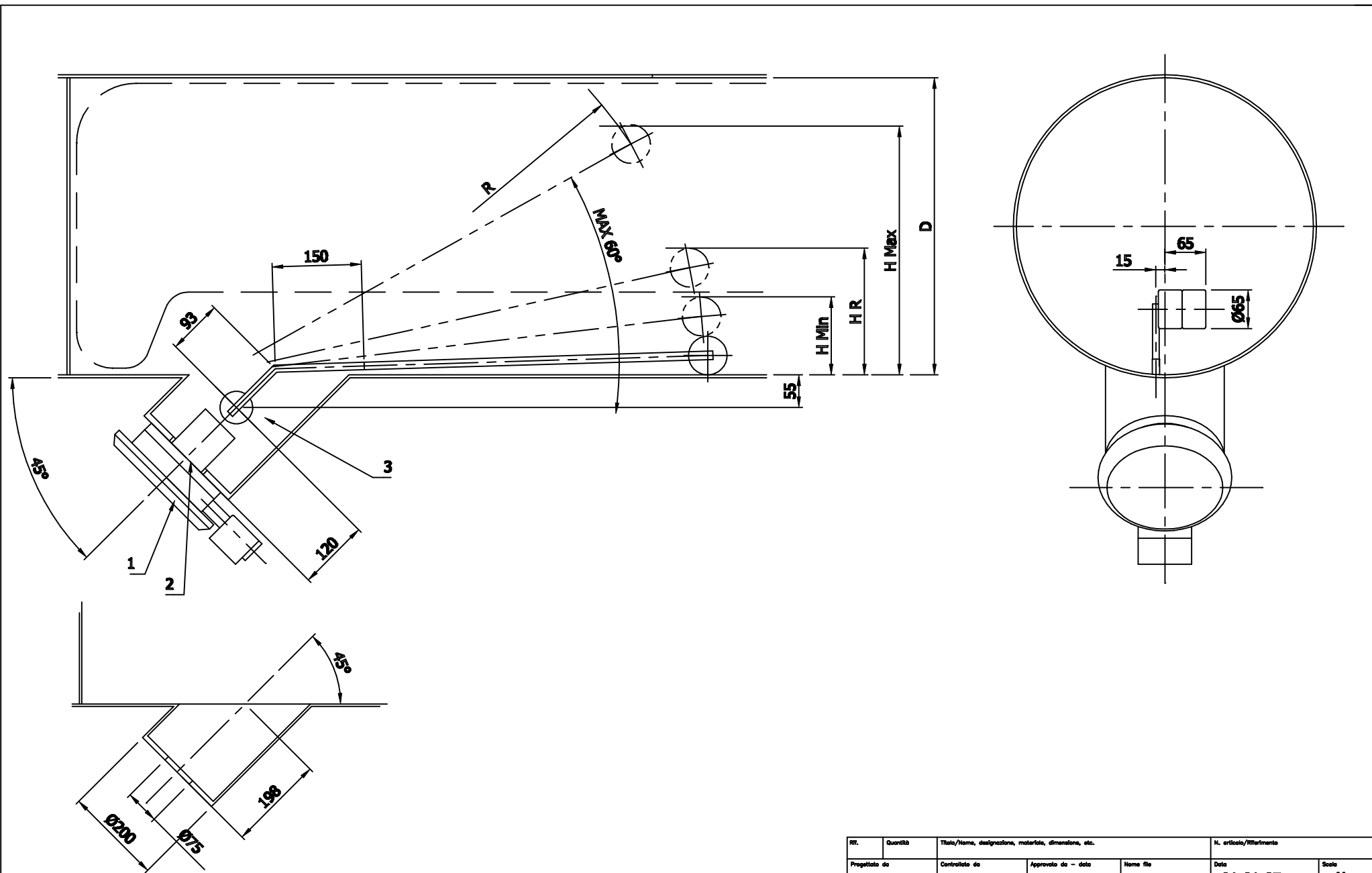


Tipo L3  
Type L3




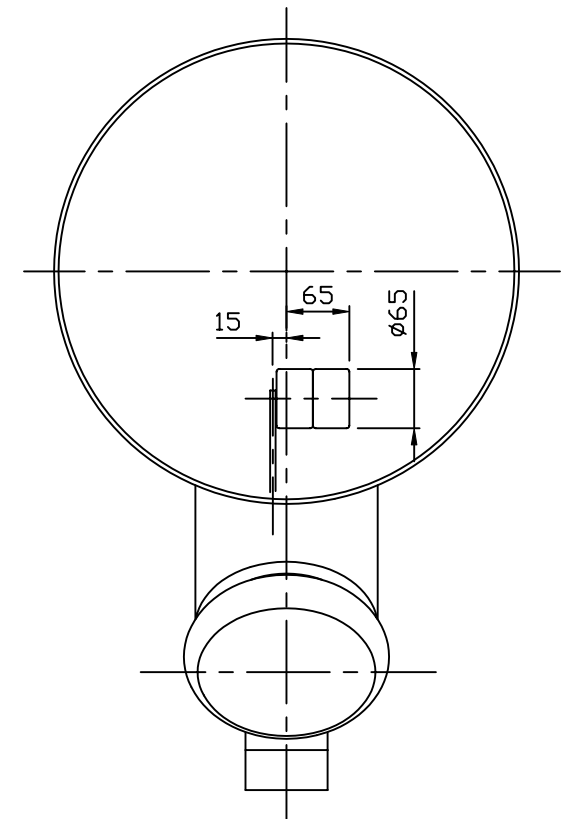
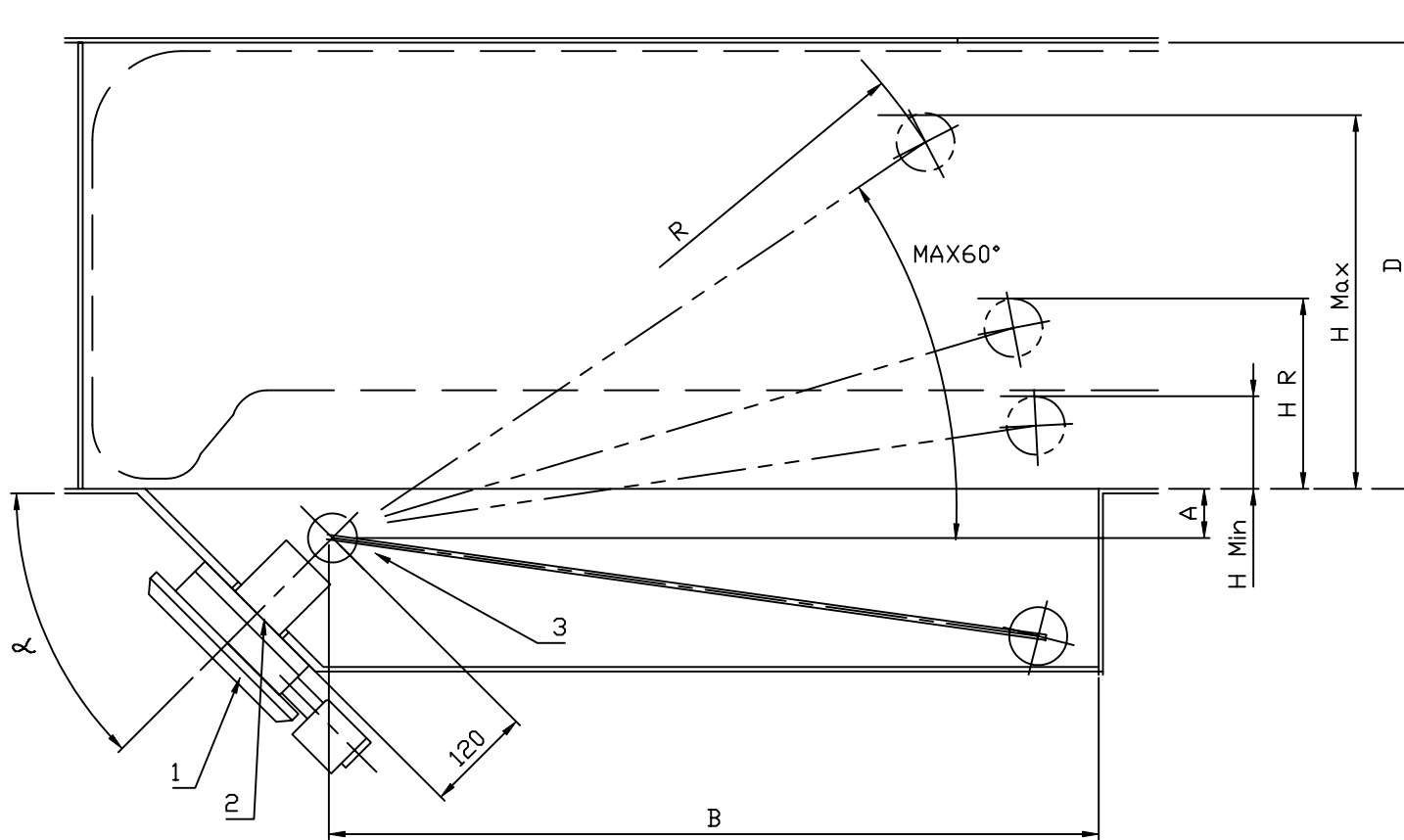
B	Aggiunto angolo 45° su tipo L3	09/05/01	GL	
N.rev	Nota sulla revisione	Data	Signatura	Controllo

Rif.	Quantità	Titolo/Nome, designazione, materiale, dimensione, etc.			N. articolo/Riferimento	
Progettato da	Controllato da	Approvato da - data	Nome file	Data	01-01-97	Scala //
 <b>ETI ELETTRINDUSTRIA S.p.A.</b> 20032 CORMANO ITALY				Titolo/Nome INDICATORE DI LIVELLO - OIL LEVEL GAUGE - INDICATEUR DE NIVEAU Serie: IL- L1-L2-L3		
				Numero disegno	Modific	Foglio
11/L1-2-3		B				
Riproduzione vietata Non misurate le quote dal disegno						



A	Diametro foro $\varnothing 75$ era $\varnothing 70$	03/01/08		
N.rev	Nota sulla revisione	Data	Signatura	Controllo

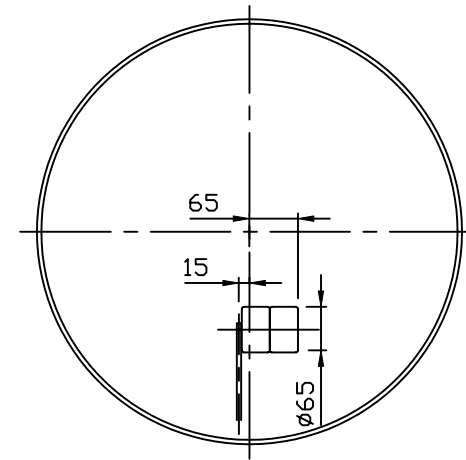
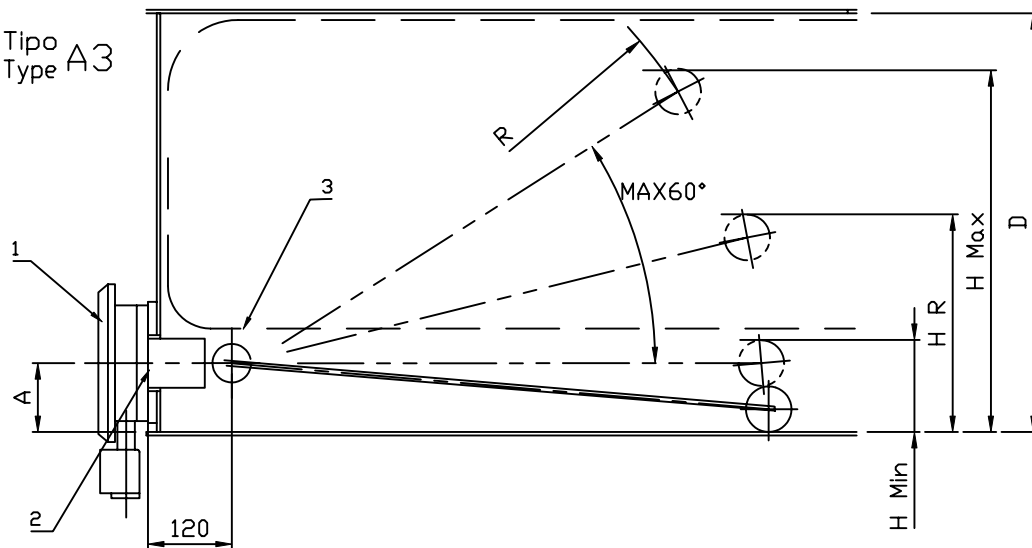
Rev.	Quantità	Titolo/Nome, designazione, materiale, dimensione, etc.			N. articolo/Referimento	
Progettato da	Controlato da	Approvato da - data	Nome file	Data	Scala	
				01-01-97	//	
 <b>ETI ELETTRINDUSTRIA S.p.A.</b> <b>20032 CORMANO ITALY</b>			Titolo/Nome <b>INDICATORE DI LIVELLO - OIL LEVEL GAUGE - INDICATEUR DE NIVEAU</b> Serie: <b>IL-A1</b>			
			Numero disegno	Modifica	Foglio	
			<b>11/A1</b>	<b>A</b>		
Riproduzione vietata		Non misurare le quote dal disegno				



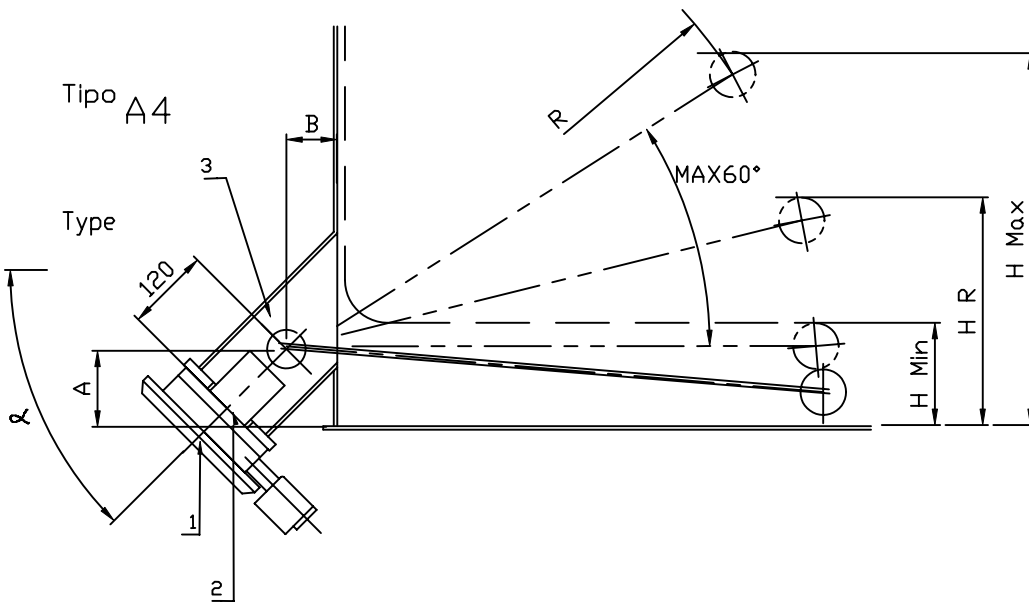
N.rev	Nota sulla revisione	Data	Signatura	Controllo
-------	----------------------	------	-----------	-----------

Ref.	Quantità	Titolo/Nome, designazione, materiale, dimensione, etc.			N. articolo/Riferimento	
Progettato da	Controllato da	Approvato da - data	Nome file	Data	01-01-97	Scala //
 <b>ETI ELETTRINDUSTRIA S.p.A.</b> 20032 CORMANO ITALY			Titolo/Nome <b>INDICATORE DI LIVELLO - OIL LEVEL GAUGE - INDICATEUR DE NIVEAU</b> Serie: IL-A2			
Numero disegno			Modifica		Foglio	
11/A2						
Riproduzione vietata			Non misurate le quote dal disegno			

Tipo  
Type A3

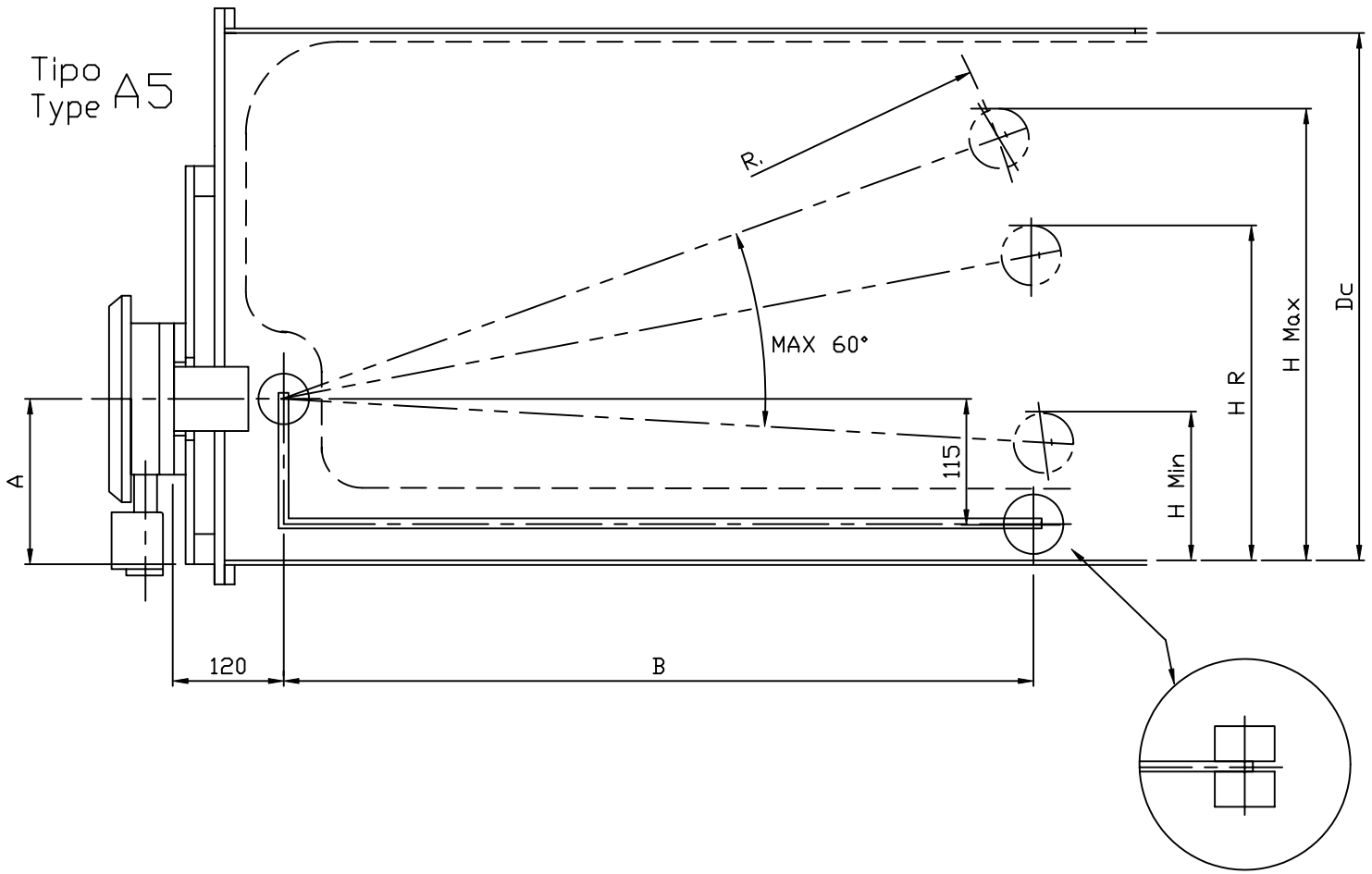


Tipo  
Type A4



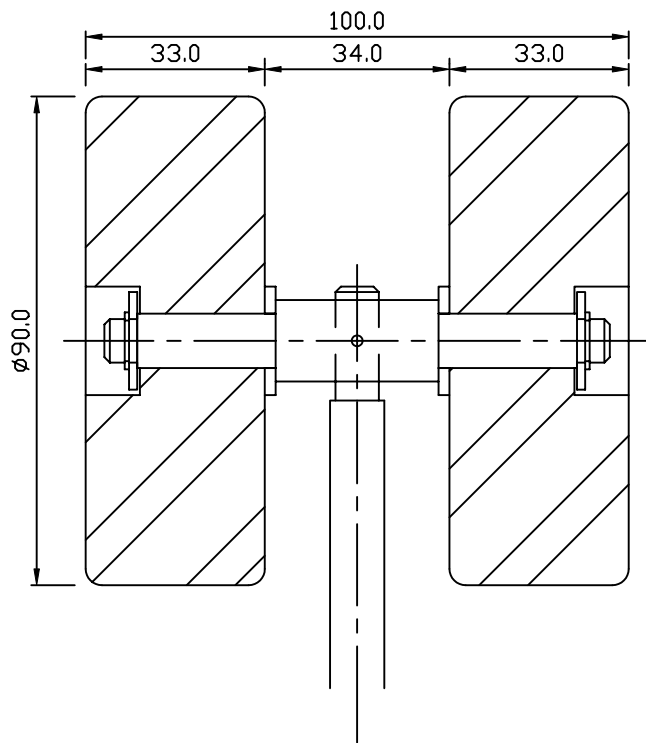
N.rev	Nota sulla revisione	Data	Signatura	Controllo
-------	----------------------	------	-----------	-----------

Rif.	Quantità	Tipo/Nome, designazione, materiali, dimensioni, etc.			N. articolo/filamento	
Progettato da	Controllato da	Approvato da - data	Nome file	Data	Scale	//
 <b>ETI ELETTRINDUSTRIA S.p.A.</b> 20032 CORMANO ITALY				Tipo/Nome <b>INDICATORI DI LIVELLO - OIL LEVEL GAUGE - INDICATEUR DE NIVEAU</b> Serie: IL-A3-A4		
Numero disegno				Modifica	Foglio	
11/A3-A4						
Riproduzione vietata Non misurare le quote dal disegno						



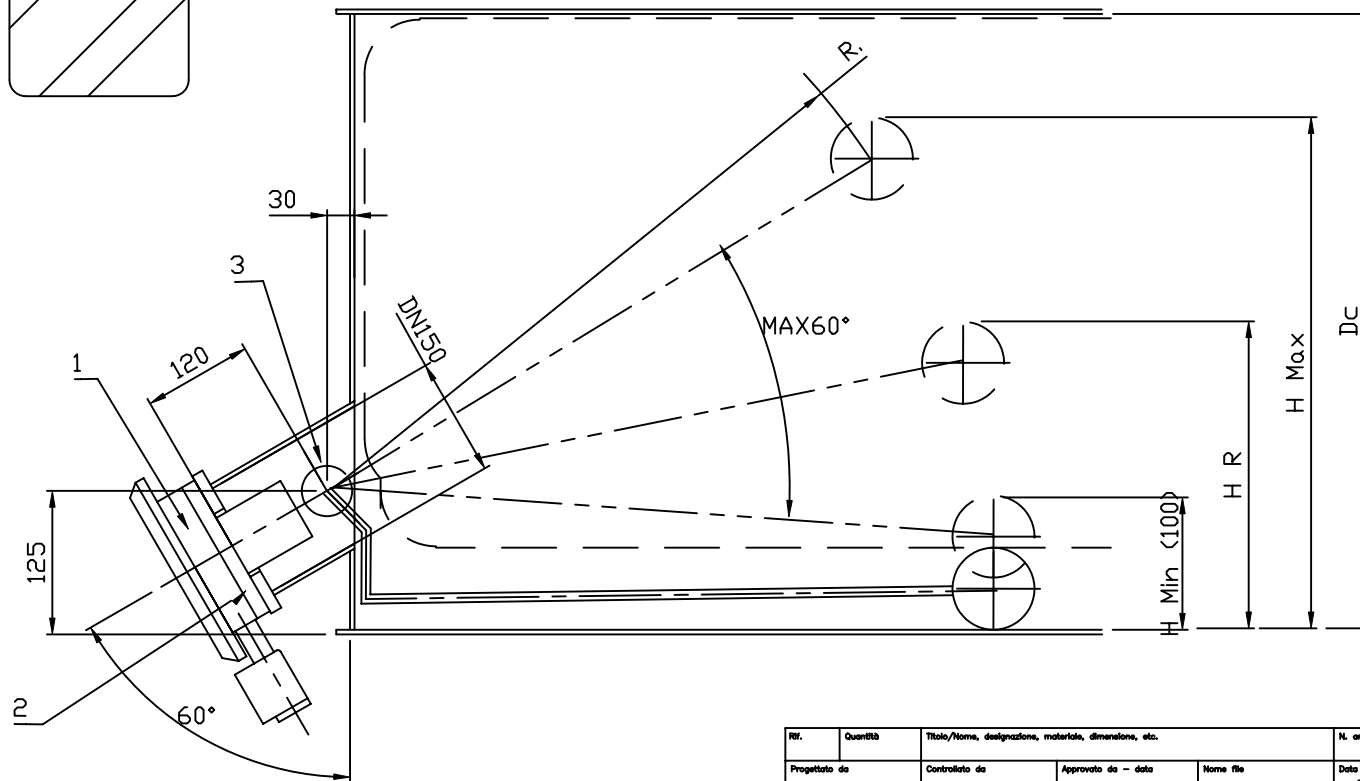
Rif.	Quantità	Titolo/Nome, designazione, materiale, dimensione, etc.			N. articolo/Riferimento	
Progettato da	Controllato da	Approvato da - data	Nome file	Data	Scala	
				01-01-97	//	
 <b>ETI ELETTRINDUSTRIA Srl</b> <b>20032 CORMANO ITALY</b>				Titolo/Nome INDICATORI DI LIVELLO - OIL LEVEL GAUGE - INDICATEUR DE NIVEAU		
				Serie: IL-A5		
Numero disegno			Modifica	Foglio		
11/A5			A			
Riproduzione vietata Non misurate le quote dal disegno						

N.rev	Nota sulla revisione	Data	Signatura	Controllo
-------	----------------------	------	-----------	-----------



Tipo A6  
Type

$$DC-400 \leq R \leq DC+100$$



N.rev	Nota sulla revisione	Data	Signatura	Controllo
-------	----------------------	------	-----------	-----------

Rif.	Quantità	Titolo/Nome, designazione, materiale, dimensione, etc.			N. articolo/Riferimento	
Progettato da	Controllato da	Approvato da - data	Nome file	Data	Scale	
				01-01-97	//	
 <b>ETI ELETTRINDUSTRIA Srl</b> 20032 CORMANO ITALY			Titolo/Nome INDICATORE DI LIVELLO - OIL LEVEL GAUGE - INDICATEUR DE NIVEAU Serie: IL-A6			
			Numero disegno	Modifica	Foglio	
11/A6		D				
Riproduzione vietata		Non misurate le quote dal disegno				